
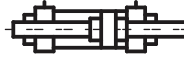
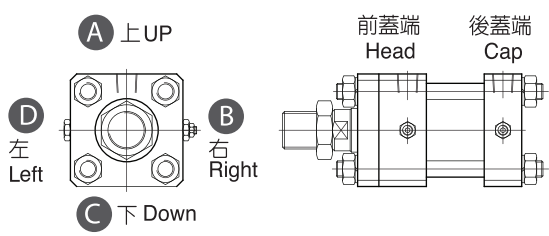


方型重油油壓缸特性資料 Specification

氣壓缸內徑 Bore sizes of cylinder(mm)	Ø40	Ø50	Ø63	Ø80	Ø100	Ø125	Ø150	Ø180	Ø200
缸管材質 Material of cylinder barrel	鋼管 Carbon steel STKM-13C OR ST52/白鐵管 Stainless tubes SUS 304								
使用壓力範圍 The range of pressure(MPa)	0.3-14MPa(3-140kgf/cm ²) / 另有高壓可特殊訂製,請來電洽詢								
使用溫度範圍 The range of temperature(c°)	NBR/PU{-25°~+80°(C°)}/VITON{-10°~150°(C°)}								
使用速度範圍 The range of speed(mm/sec)	8~300(mm/sec)/另有低摩擦高速油封選用(1000mm以上/sec),請來電洽詢								
標準衝程活塞(PM)的長度,長衝程活塞與繫緊模式請參閱註1	30	35	35	50	60	70	60	70	70
各缸徑最大容許衝程 STROKE .mm Max.Permissible	參閱有關軸心扭曲與缸體固定形式技術資料								
衝程之容許公差/Tolerance of stroke	衝程/STROKE	100 以下	100~250	250~630	631~1000	1001~1600	1601以上		
JIS B 8354 B級/Refer to Right Table	容許差/Tolerance	0~+0.8	0~+1.0	0~+1.25	0~+1.4	0~+1.6	0~+1.8		
活塞桿螺紋加工精度/Accuracy of Threading at Rod End	JIS 6g/6H(相當JIS 2級)								

HO-B-N-Ø80-A-A-Ø40-N-Ø200-N-N-AST000-N

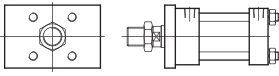
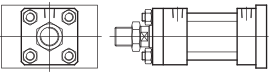
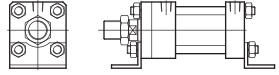
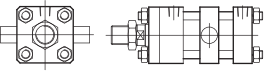
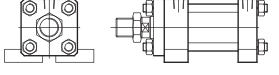
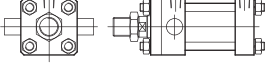
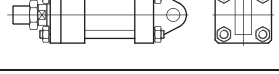
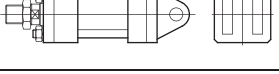
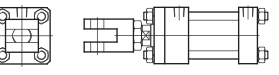
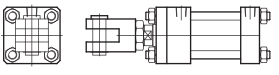
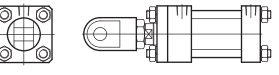
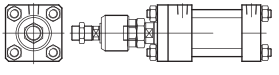
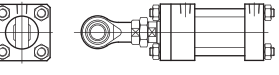
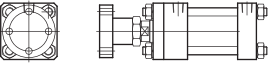
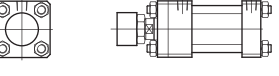
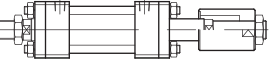


1	型式 / TYPE	B: 標準型 B: Standard type		D: 雙軸型 D: Double-Rod type							
2	磁石/MAGNET	R: 內加磁石 (適用Ø32~Ø125) N:沒有 R: with magnet inside(Applicable to Ø32~Ø125) N:No symbol									
3	鋼管內徑/外徑 CYLINDER TUBES	Ø40/Ø46	Ø50/Ø57	Ø63/Ø71	Ø80/Ø90	Ø100/Ø110	Ø125/Ø140	Ø150/Ø168	Ø180/Ø202	Ø200/Ø242	
	不銹鋼缸徑/外徑 STAINLESS TUBES	Ø40/Ø46	Ø50/Ø60	Ø63/Ø73	Ø80/Ø95	Ø100/Ø114	Ø125/Ø145	Ø150/Ø175	NO	NO	
4	油封選用 SEAL SYMBOL 油封材質/Seal material	適用作動油種類 Kind of Fluid									
		一般礦物性作動油 Pertroleum-Based fluid	水乙二醇 Water-Glycol fluid	磷酸酯油 Phosphate-Ester fluid	O/W作動油 Water in oil fluid	W/O作動油 Oil in Water fluid					
		A PU Polyurethane rubber	○	×	×	△	△				
		B NBR Nitrile rubber	○	○	×	○	○				
C VITON Fluoro elastomer	○	×	○	○	○						
備註: Note:		允許使用 ○ 不允許使用 × 請與我們洽詢 △ allowable ○ unallowable × consult us △									
5	入口口位置填入 Port position	前蓋端 Head	A:上(標準型)/B:右/C:下/D:左 A:UP(Standard)/B:Right/C:Down/D:Left								
		後蓋端 Cap	A:上(標準型)/B:右/C:下/D:左 A:UP(Standard)/B:Right/C:Down/D:Left								
		A=AA / B=BB / C=CC / D=DD E=AB / F=AC / G=AD / H=BA I=BC / J=BD / K=CA / L=CB M=CD / N=DA / O=DB / P=DC									
6	軸心/ROD	標準	Ø25	Ø30	Ø35	Ø40	Ø50	Ø60	Ø80	Ø100	Ø100
		最大	—	Ø35	Ø40	Ø50	Ø70	Ø90	Ø120	Ø140	Ø160
		緩衝軸心	Ø18	Ø25	Ø35	Ø40	Ø50	Ø60	Ø80	Ø100	Ø100

Ref. MA HA MT MTH SR MR MI, MK Pneu. accessories MO HO FO SO RO CRO HSO HRO Hydra. accessories

HO Series

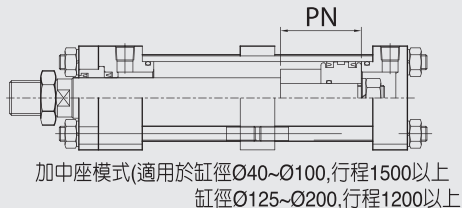
方型重油油壓缸採購指南 14Mpa Hydraulic Cylinders How to Order

7	緩衝位置 Position of cushion	N: 無緩衝(標準型) / B:兩端緩衝 / X:前蓋緩衝 / Y:後蓋緩衝 N: No symbol / B:Double side cushion / X:Rod-cover side cushion / Y:Cap-cover side cushion 緩衝型式請參閱說明2					
8	行程/STROKE	填入需要之衝程 Max Permissible stroke					
備註:標準品最大衝程,內徑 $\varnothing 40 \sim \varnothing 200$ 衝程為1499mm,長衝程訂製時,因考量活塞側向支撐力與繫緊柱子鎖固強度,另外因考量油壓缸固定形式與軸心撓曲度等等問題,需在計算強度或參閱技術資料或敬請與我們洽詢或參閱說明(1)(2)							
9	缸體 固定方式 BORE ACCESSORY	名稱 DESCRIPTION	記號 SYMBOL	略圖 CONFIGURATION	名稱 DESCRIPTION	記號 SYMBOL	略圖 CONFIGURATION
		前蓋矩形法蘭 Rectangular flange at cylinder head	FA		後蓋矩形法蘭 Rectangular flange at cylinder cap	FB	
		前後端凸耳形 Foot mounting side end angles	LB		U型搖擺座 U-shaped swing seat	TC	
		側端凸耳型 Foot mounting side luge	LA		前蓋端耳軸型 Trunnion mounting at cylinder head	TA	
		後蓋固定 單山型 Plaie clevis at cylinder cap	CA		後蓋可拆 雙山型 Clevis fork at cylinder cap	CB	
備註:缸體固定如有其它方式可繪製圖面或與我們營業人員洽詢 Note: If the cylinder is fixed in other ways, you can draw a sketch or contact our sales staff							
10	軸心 用配件 ROD ACCESSORY	名稱 DESCRIPTION	記號 SYMBOL	略圖 CONFIGURATION	名稱 DESCRIPTION	記號 SYMBOL	略圖 CONFIGURATION
		Y型接頭 Rod Clevis	HY		Y型接頭附 插銷 Rod Clevis With Pin	YP	
		I型接頭 I Rod end mounting	HI		浮動接頭 Compensating Joint	KG	
		魚眼接頭 Oscillating Eye	PH		T型接頭 T Rod end mounting	HT	
		焊接接頭 H Rod end mounting	HH		可調螺帽 Adjustable nut	AST	
備註:軸心固定如有其它方式,可繪製草圖或與我們營業人員洽詢 Note: If the axis is fixed in other ways, you can draw a sketch or contact our sales staff							
11	雙軸 可調行程	填入需要的可調行程 AST <input type="text"/> <input type="text"/> <input type="text"/> mm 無記號:沒有 / NO Symbol Adjustable Stroke					
12	近接開關 SENSOR SWITCH	無記號:無裝置(標準型)/B:兩端近接開關/X:近接在前/Y:近接在後/T:近接*3/U:近接*4 N: No symbol/B:Double side sensor switch/X:Rod-cover side sensor switch/ Y: Cap-cover side sensor switch/T:sensor switch*3/U:sensor switch*4					

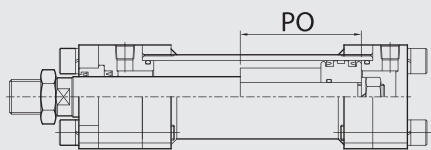


方型重油油壓缸尺寸圖
14Mpa Hydraulic Cylinders Dimensional Features

[說明1] 長衝程活塞加長襯套尺寸與繫緊模式選用參考:



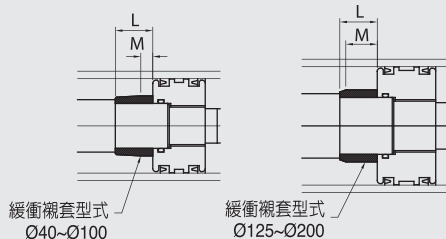
加中座模式(適用於缸徑 $\varnothing 40\sim\varnothing 100$,行程1500以上
缸徑 $\varnothing 125\sim\varnothing 200$,行程1200以上)



兩端加法蘭模式 (建議用於缸徑 $\varnothing 40\sim\varnothing 100$,行程2000mm以上
缸徑 $\varnothing 125\sim\varnothing 200$,行程1800以上使用)

缸徑	PN	PO
$\varnothing 40$	60	90
$\varnothing 50$	70	100
$\varnothing 63$	70	100
$\varnothing 80$	100	150
$\varnothing 100$	100	120
$\varnothing 125$	100	200
$\varnothing 150$	100	200
$\varnothing 180$	120	200
$\varnothing 200$	120	200

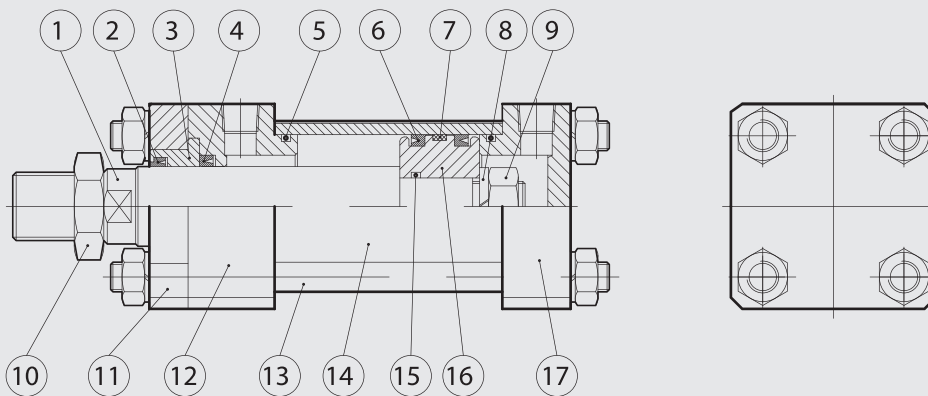
[說明2] 緩衝標準距離尺寸:



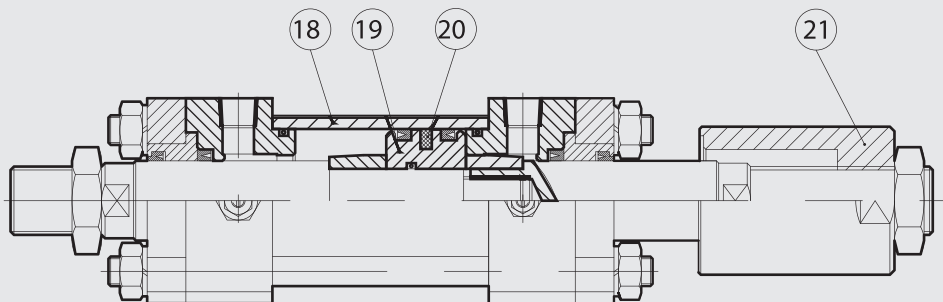
缸徑	L長度	M長度
$\varnothing 40\sim\varnothing 63$	20	8
$\varnothing 80\sim\varnothing 100$	25	8
$\varnothing 125\sim\varnothing 180$	25	21
$\varnothing 200$	30	26

方型重油油壓缸結構圖
14Mpa Hydraulic Cylinders Structure and Parts List

HOB



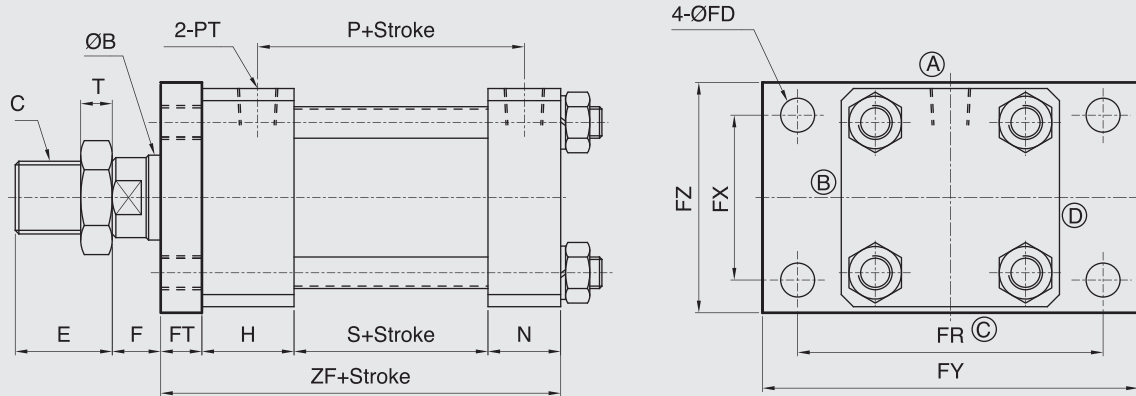
HOOR



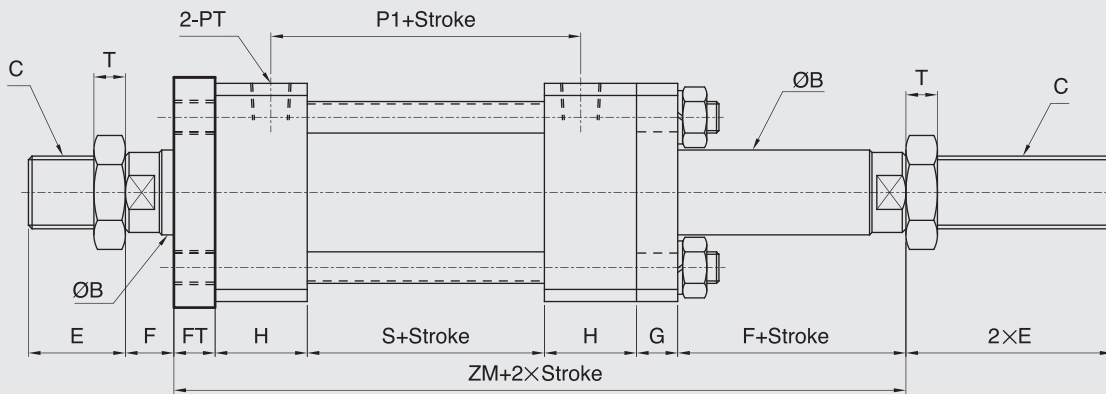
NO	零件名 Part mane	數量 Quantity	NO	零件名 Part mane	數量 Quantity	NO	零件名 Part mane	數量 Quantity
1	活塞桿 Piston rod	1	8	彈簧華司 Spring washer	1	15	O型環 Gasket	1
2	刮油環 Dust wiper	1	9	螺帽 Nut	1	16	活塞本體 Piston	1
3	套銅 Rod bush	1	10	軸心螺帽 Rod nut	1	17	後蓋 End cover	1
4	軸用油封 Rod packiog	1	11	銅壓板 End plate	1	18	油缸本體 Cylinder tube	1
5	O型環 Gasket	2	12	前蓋 Rod cover	1	19	活塞本體 Piston	1
6	橡膠活塞環 Piston packing	2	13	固定柱子 Tie bolt	4	20	磁石 Magnet	1
7	耐磨環 Wearing ring	1	14	油缸本體 Cylinder tube	1	21	可調螺帽 Adjustable nut	1

方型重油油壓缸FA板尺寸圖 14Mpa Hydraulic Cylinders FA Dimensional Features

HOB HOB+FA TYPE



HOD HOD+FA TYPE



BORE	SIZE	HOB-HOD TYPE															FA TYPE				
		$\varnothing B$	C	E	F	G	H	N	P	P1	PM	PT	S	T	ZF	ZM	$\varnothing FD$	FT	FR	FX	FY
$\varnothing 40$	25	M22XP1.5	40	20	17	33	28	76	74	30	3/8	50	13	128	170	12	17	93	50	115	75
$\varnothing 50$	30	M26XP1.5	40	20	17	38	30	85	85	35	3/8	55	13	140	185	14	17	110	56	150	85
$\varnothing 63$	35	M30XP1.5	45	20	17	38	30	85	85	35	3/8	55	13	140	185	14	17	126	68	155	95
$\varnothing 80$	40	M30XP1.5	45	20	20	38	35	107	105	50	1/2	75	13	168	211	18	20	152	75	190	120
$\varnothing 100$	50	M40XP2.0	55	25	20	41	37	123.5	120	60	1/2	90	15	188	237	20	20	180	100	220	140
$\varnothing 125$	60	M50XP2.0	70	35	30	57	47	143	140	70	3/4	100	15	234	309	24	30	222	122	280	170
$\varnothing 150$	80	M70XP2.0	80	35	30	60	50	135	130	60	3/4	90	20	230	305	28	30	260	155	310	206
$\varnothing 180$	100	M90XP2.0	100	35	40	65	55	172	170	70	1	120	20	280	365	35	40	315	188	375	250
$\varnothing 200$	100	M90XP2.0	100	40	40	65	60	175	170	70	1	120	20	285	370	35	40	355	207	425	272

備註：

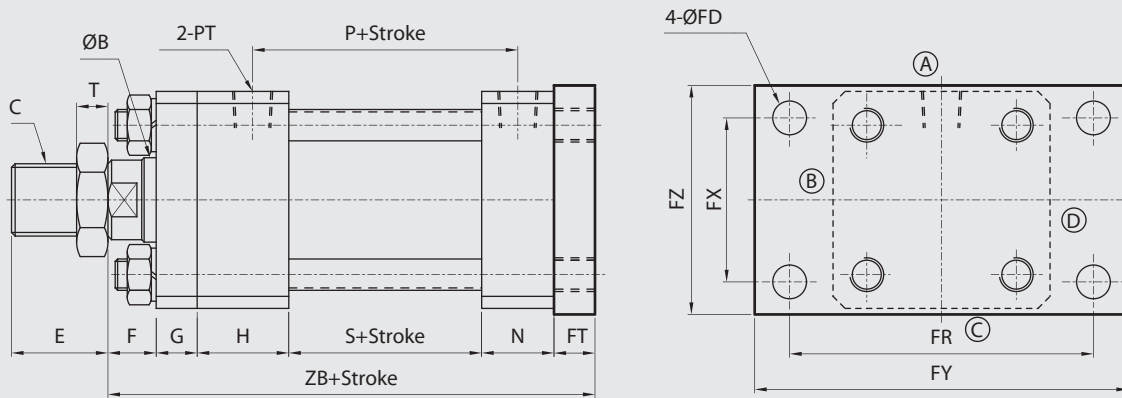
1. 軸心加大如未註明長度尺寸時, 依照本公司規定自行加工。
2. HO 系列行程未超過 1500mm 時, 活塞(PM)長度如附表, 訂製行程如超過 1500mm 時, 活塞長度請參閱特性資料表。
3. 本系列軸心螺帽規格 M50mm (含) 以上時, 其外徑為圓形。

1. The length and size of the axis were not specified when being enlarged or reduced. The size of the axis will be constructed according to the specification table.
2. When this series of stroke exceeds (includes) 1500mm, as see the property information for the length of the piston. Within 1500mm see the (PM) length of piston.
3. The screw nut specification of this series of axis over M50 is round and W stands for its external diameter.

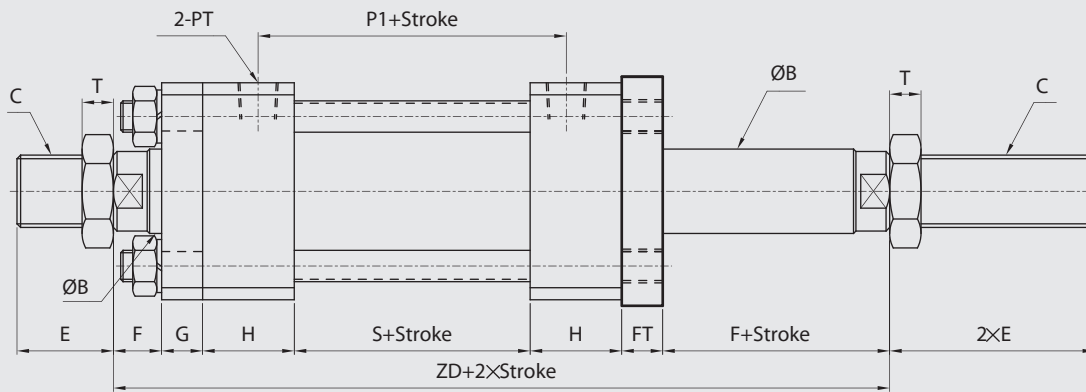
HO-FB Series

方型重油油壓缸FB板尺寸圖 14Mpa Hydraulic Cylinders FB Dimensional Features

HOB HOB+FB TYPE



HOD HOD+FB TYPE



HOB-HOD TYPE																FB TYPE						
BORE	SIZE	$\varnothing B$	C	E	F	G	H	N	P	P1	PM	PT	S	T	ZB	ZD	$\varnothing FD$	FT	FR	FX	FY	FZ
	$\varnothing 40$	25	M22XP1.5	40	20	17	33	28	76	74	30	3/8	50	13	165	190	12	17	93	50	115	75
	$\varnothing 50$	30	M26XP1.5	40	20	17	38	30	85	85	35	3/8	55	13	177	205	14	17	110	56	150	85
	$\varnothing 63$	35	M30XP1.5	45	20	17	38	30	85	85	35	3/8	55	13	177	205	14	17	126	68	155	95
	$\varnothing 80$	40	M30XP1.5	45	20	20	38	35	107	105	50	1/2	75	13	208	231	18	20	152	75	190	120
	$\varnothing 100$	50	M40XP2.0	55	25	20	41	37	123.5	120	60	1/2	90	15	233	262	20	20	180	100	220	140
	$\varnothing 125$	60	M50XP2.0	70	35	30	57	47	143	140	70	3/4	100	15	299	344	24	30	222	122	280	170
	$\varnothing 150$	80	M70XP2.0	80	35	30	60	50	135	130	60	3/4	90	20	295	340	28	30	260	155	310	206
	$\varnothing 180$	100	M90XP2.0	100	35	40	65	55	172	170	70	1	120	20	355	400	35	40	315	188	375	250
	$\varnothing 200$	100	M90XP2.0	100	40	40	65	60	175	170	70	1	120	20	365	410	35	40	355	207	425	272

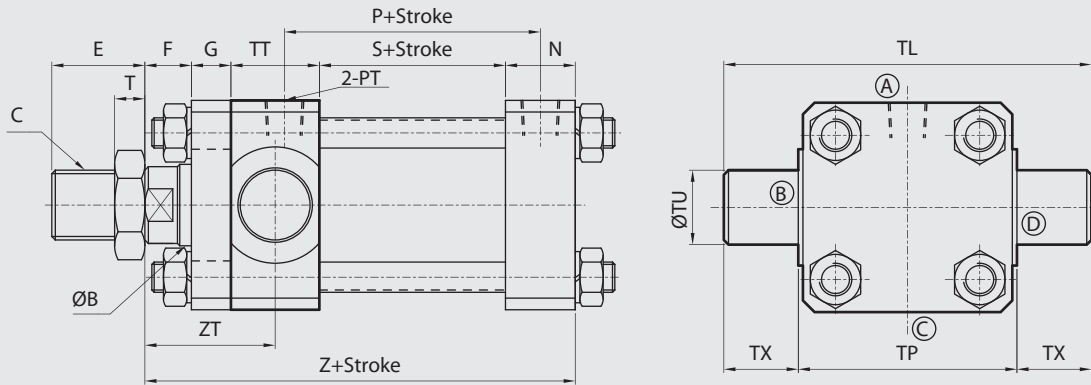
備註：

- 1.本系列軸心加大或縮小時如未註明長度尺寸時,依照本公司規定自行加工。
- 2.HO 系列行程未超過 1500mm時,活塞(PM)長度如附表,訂製行程如超過 1500mm時,活塞長度請參閱特性資料表。
- 3.本系列軸心螺帽規格M50mm(含)以上時,其外徑為圓形。

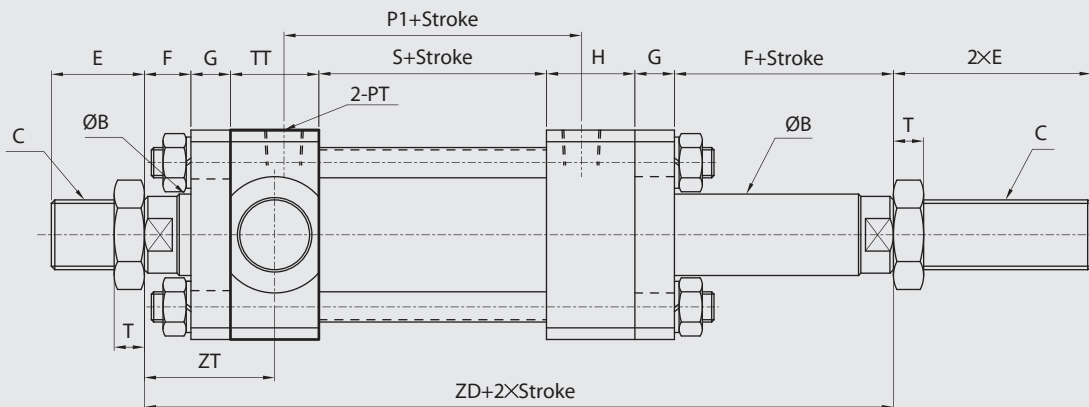
- 1.The length and size of the axis were not specificd when being enlarged or reduced. The size of the axis will be constructed according to the specification tablet.
- 2.When this series of stroke exceeds(includes) 1500mm, as see the property information for the length of the piston. Within 1500mm see the (PM) length of piston.
- 3.The screw mut specification of this series of axis over M50 is round and W stands for its external diameter.

方型重油油壓缸TA尺寸圖 14Mpa Hydraulic Cylinders TA Dimensional Features

HOB HOB+TA TYPE



HOD HOD+TA TYPE



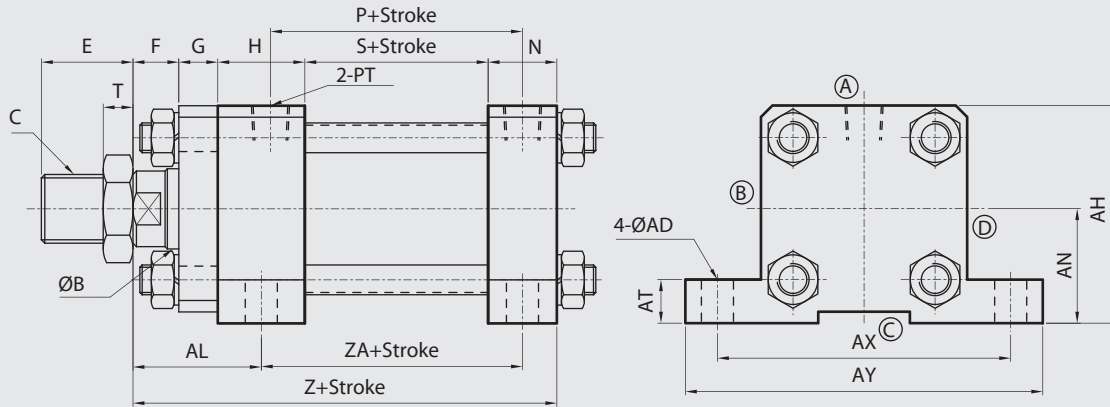
BORE	SIZE	HOB-HOD TYPE															TA TYPE				
		ØB	C	E	F	G	H	N	P	P1	PM	PT	S	T	Z	ZD	ZT	ØTU	TL	TP	TT
Ø40	25	M22XP1.5	40	20	17	33	28	76	74	30	3/8	50	13	148	190	53.5	20	109	69	33	20
Ø50	30	M26XP1.5	40	20	17	38	30	85	85	35	3/8	55	13	160	205	56	25	134	84	38	25
Ø63	35	M30XP1.5	45	20	17	38	30	85	85	35	3/8	55	13	160	205	56	32	154	94	38	30
Ø80	40	M30XP1.5	45	20	20	38	35	107	105	50	1/2	75	13	188	231	59	32	174	114	38	30
Ø100	50	M40XP2.0	55	25	20	41	37	123.5	120	60	1/2	90	15	213	262	65.5	35	205	135	41	35
Ø125	60	M50XP2.0	70	35	30	57	47	143	140	70	3/4	100	15	269	344	93.5	45	258	168	57	45
Ø150	80	M70XP2.0	80	35	30	60	50	135	130	60	3/4	90	20	265	340	95	50	300	200	60	50

備註：

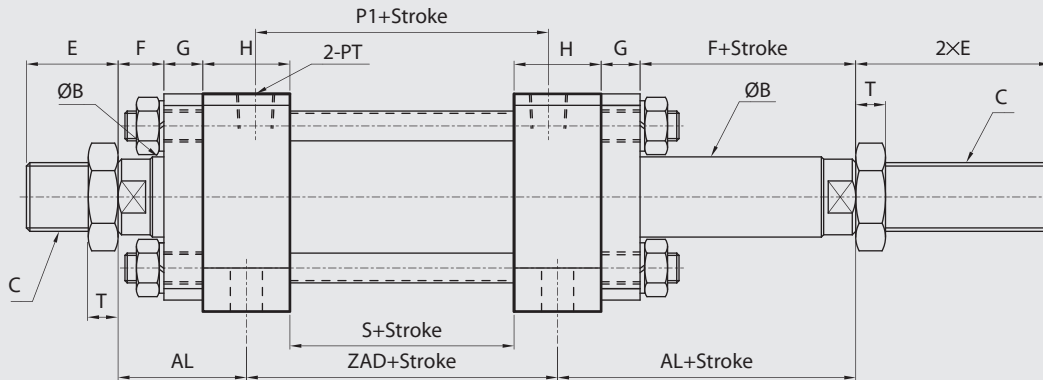
- 1.本系列軸心加大或縮小時如未註明長度尺寸時,依照本公司規定自行加工。
- 2.H0 系列行程未超過 1500mm時,活塞(PM)長度如附表,訂製行程如超過1500mm時, 活塞長度請參閱特性資料表。
- 3.本系列行程若超過 2000mm(含)時,須加拉桿中間固定座
- 4.本系列軸心螺帽規格M50mm(含)以上時,其外徑為圓形。

- 1.The length and size of the axis were not specified when being enlarged or reduced. The size of the axis will be constructed according to the specification tablet.
- 2.When this series of stroke exceeds(includes) 1500mm, as see the property information for the length of the piston. Within 1500mm see the (PM) length of piston.
- 3.When this series of stroke exceeds(includes) 2000mm,the fixed base of the pull rod must be added in the middle.
- 4.The screw nut specification of this series of axis over M50 is round and W stands for its external diameter.

HOB HOB+LA TYPE



HOD HOD+LA TYPE



HOB-HOD TYPE

LA TYPE

BORE	SIZE	ØB	C	E	F	G	H	N	AH	AL	AN	P	P1	PM	PT	S	T	ZA	ZAD	Z	ØAD	AT	AX	AY
Ø40	25	M22XP1.5	40	20	17	33	28	69.5	53.5	37	76	74	30	3/8	50	13	80.5	83	148	12	14	90	112	
Ø50	30	M26XP1.5	40	20	17	38	30	85	56	45	85	85	35	3/8	55	13	89	93	160	14	17	115	140	
Ø63	35	M30XP1.5	45	20	17	38	30	95	56	50	85	85	35	3/8	55	13	89	93	160	14	19	128	156	
Ø80	40	M30XP1.5	45	20	20	38	35	115	59	60	107	105	50	1/2	75	13	111.5	113	188	18	25	152	184	
Ø100	50	M40XP2.0	55	25	20	41	37	135.5	65.5	70	123.5	120	60	1/2	90	15	129	131	213	21	27	178	210	
Ø125	60	M50XP2.0	70	35	30	57	47	171	93.5	90	143	140	70	3/4	100	15	152	157	269	24	30	230	280	
Ø150	80	M70XP2.0	80	35	30	60	50	208	95	113	135	130	60	3/4	90	20	145	150	265	28	35	270	325	
Ø180	100	M90XP2.0	100	35	40	65	55	260.5	107.5	143	172	170	70	1	120	20	180	185	315	35	45	330	395	
Ø200	100	M90XP2.0	100	40	40	65	60	292	112.5	161	175	170	70	1	120	20	182.5	185	325	35	50	360	430	

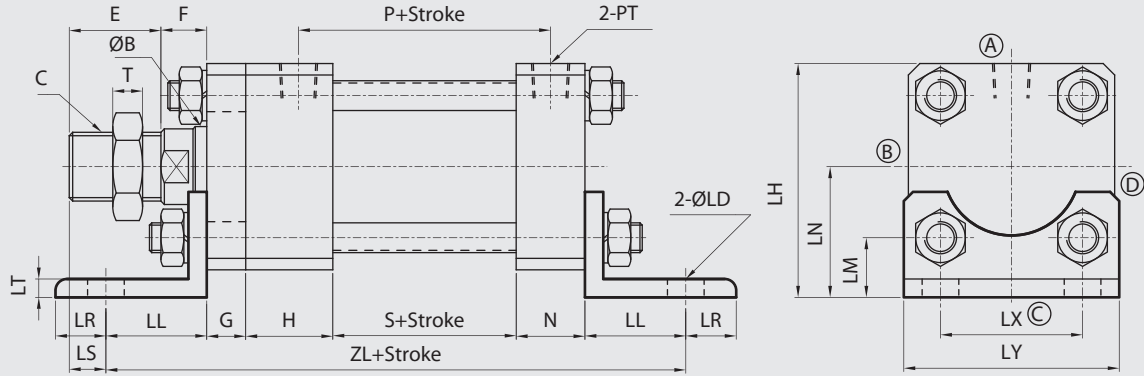
備註：

- 1.本系列軸心加大或縮小時如未註明長度尺寸時,依照本公司規定自行加工。
- 2.HO 系列行程未超過 1500mm時,活塞(PM)長度如附表,訂製行程如超過1500mm時, 活塞長度請參閱特性資料表。
- 3.本系列行程若超過 2000mm(含)時,須加拉桿中間固定座
- 4.本系列軸心螺帽規格M50mm(含)以上時,其外徑為圓形。

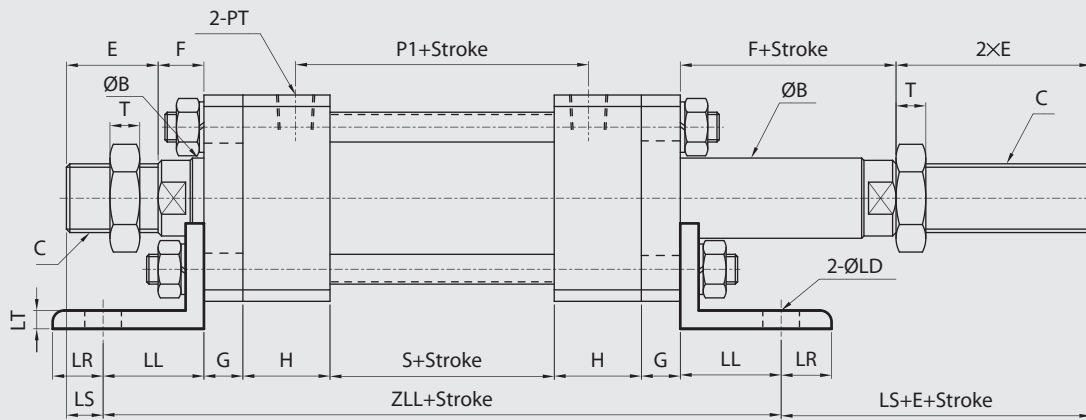
- 1.The length and size of the axis were not specific when being enlarged or reduced. The size of the axis will be constructed according to the specification tablet.
- 2.When this series of stroke exceeds(includes) 1500mm, as see the property information for the length of the piston. Within 1500mm see the (PM) length of piston.
- 3.When this series of stroke exceeds(includes) 2000mm,the fixed base of the pull rod must be added in the middle.
- 4.The screw nut specification of this series of axis over M50 is round and W stands for its external diameter.

方型重油油壓缸LB架尺寸圖 14Mpa Hydraulic Cylinders LB Dimensional Features

HOB HOB+LB TYPE



HOD HOD+LB TYPE



		HOB-HOD TYPE															LB TYPE									
BORE	SIZE	ØB	C	E	F	G	H	N	LH	LN	LS	P	P1	PM	PT	S	T	ZL	ZLL	ØLD	LL	LM	LR	LT	LX	LY
Ø40	25	M22XP1.5	40	20	17	33	28	78.5	46	22.5	76	74	30	3/8	50	13	203	225	11	37.5	23.5	12.5	6	45	68	
Ø50	30	M26XP1.5	40	20	17	38	30	94	54	18	85	85	35	3/8	55	13	224	249	14	42	26	22	8	56	85	
Ø63	35	M30XP1.5	45	20	17	38	30	102	57	21	85	85	35	3/8	55	13	228	253	16	44	26	22	8	62	95	
Ø80	40	M30XP1.5	45	20	20	38	35	131	76	2	107	105	50	1/2	75	13	294	317	18	63	36	27	13	80	120	
Ø100	50	M40XP2.0	55	25	20	41	37	158.5	93	14	123.5	120	60	1/2	90	15	320	344	20	66	45.5	24	15	100	140	
Ø125	60	M50XP2.0	70	35	30	57	47	195	114	25	143	140	70	3/4	100	15	394	434	24	80	53	30	15	122	169	
Ø150	80	M70XP2.0	80	35	30	60	50	220	125	35	135	130	60	3/4	90	20	390	430	28	80	53	30	20	144	200	
Ø180	100	M90XP2.0	100	35	40	65	55	267.5	150	45	172	170	70	1	120	20	460	510	35	90	62.5	40	20	175	240	
Ø200	100	M90XP2.0	100	40	40	65	60	301	170	45	175	170	70	1	120	20	475	520	35	95	73.5	40	25	193	265	

備註：

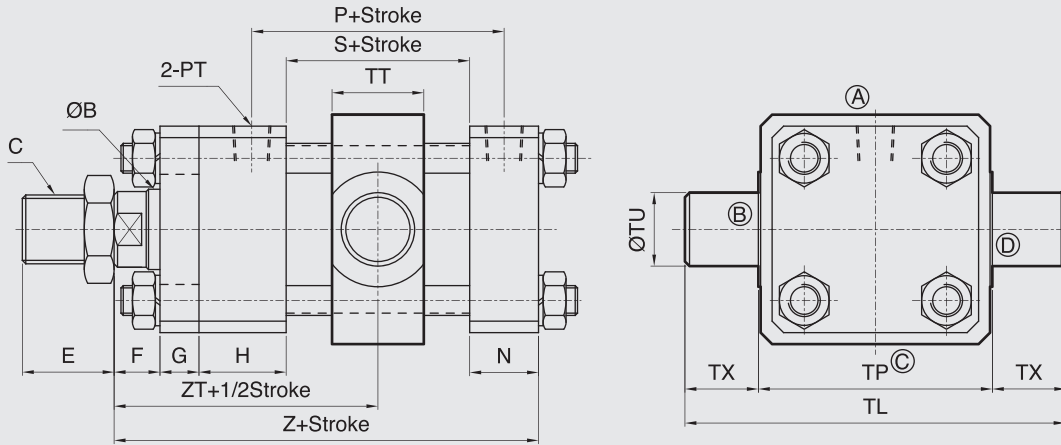
- 1.本系列軸心加大或縮小時如未註明長度尺寸時,依照本公司規定自行加工。
- 2.HO 系列行程未超過 1500mm時,活塞(PM)長度如附表,訂製行程如超過 1500mm時,活塞長度請參閱特性資料表。
- 3.本系列行程若超過 2000mm (含)時,須加拉桿中間固定座
- 4.本系列軸心螺帽規格M50mm(含)以上時,其外徑為圓形。

- 1.The length and size of the axis were not specific when being enlarged or reduced. The size of the axis will be constructed according to the specification tablet.
- 2.When this series of stroke exceeds(includes) 1500mm, as see the property information for the length of the piston. Within 1500mm see the (PM) length of piston.
- 3.When this series of stroke exceeds(includes) 2000mm,the fixed base of the pull rod must be added in the middle.
- 4.The screw nut specification of this series of axis over M50 is round and W stands for its external diameter.

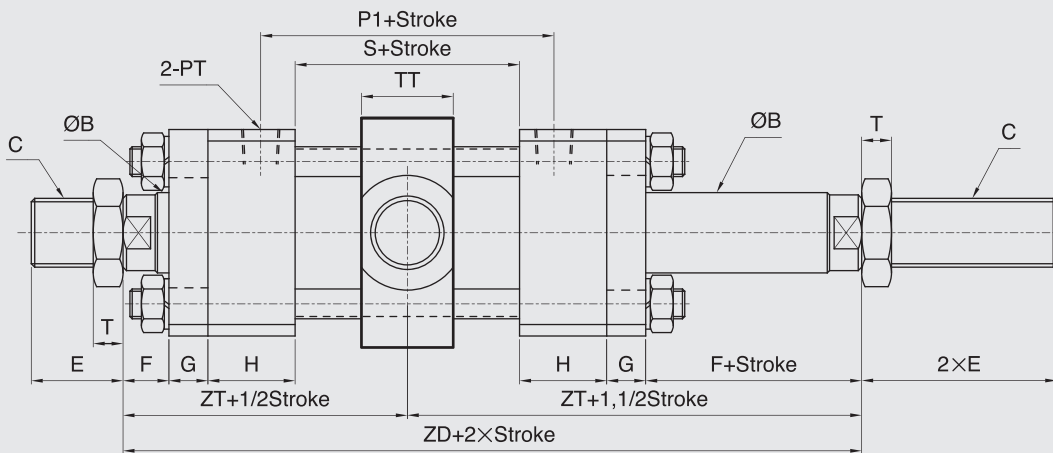
HO-TC Series

方型重油油壓缸TC尺寸圖 14Mpa Hydraulic Cylinders TC Dimensional Features

HOB HOB+TC TYPE



HOD HOD+TC TYPE



HOB-HOD TYPE															TC TYPE							
BORE	SIZE	ØB	C	E	F	G	H	N	P	P1	PM	PT	S	T	Z	ZD	ZT	ØTU	TL	TP	TT	TX
Ø40	25	M22XP1.5	40	20	17	33	28	76	74	30	3/8	50	13	148	190	95	20	115	75	28	20	
Ø50	30	M26XP1.5	40	20	17	38	30	85	85	35	3/8	55	13	160	205	102.5	25	140	90	33	25	
Ø63	35	M30XP1.5	45	20	17	38	30	85	85	35	3/8	55	13	160	205	102.5	32	166	102	40	32	
Ø80	40	M30XP1.5	45	20	20	38	35	107	105	50	1/2	75	13	188	231	115.5	32	184	120	43	32	
Ø100	50	M40XP2.0	55	25	20	41	37	123.5	120	60	1/2	90	15	213	262	131	40	220	140	53	40	
Ø125	60	M50XP2.0	70	35	30	57	47	143	140	70	3/4	100	15	269	344	172	50	275	175	58	50	
Ø150	80	M70XP2.0	80	35	30	60	50	135	130	60	3/4	90	20	265	340	170	60	326	206	73	60	
Ø180	100	M90XP2.0	100	35	40	65	55	172	170	70	1	120	20	315	400	200	80	403	243	98	80	
Ø200	100	M90XP2.0	100	40	40	65	60	175	170	70	1	120	20	325	410	205	90	452	272	108	90	

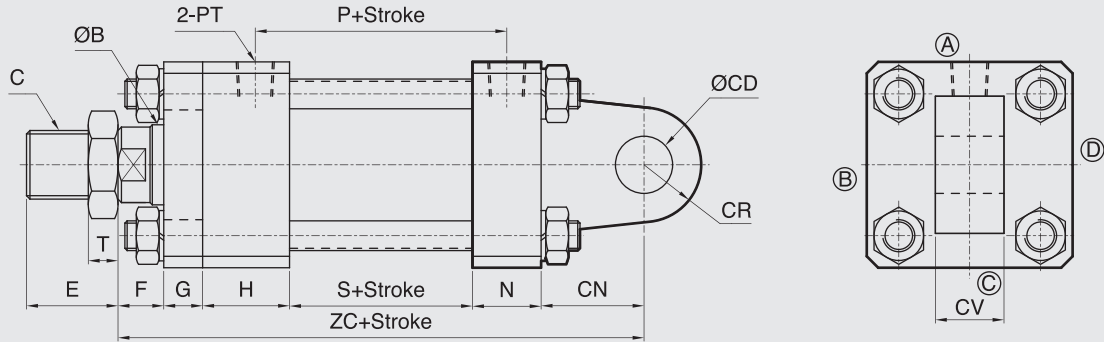
備註：

1. 本系列軸心加大或縮小時如未註明長度尺寸時, 依照本公司規定自行加工。
2. H0 系列行程未超過 1500mm時, 活塞(PM)長度如附表, 訂製行程如超過 1500mm時, 活塞長度請參閱特性資料表。
3. 本系列軸心螺帽規格M50mm(含)以上時, 其外徑為圓形。

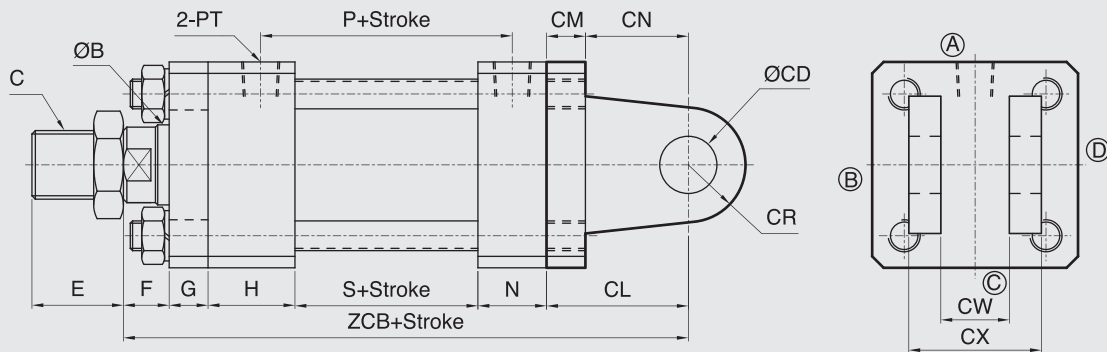
1. The length and size of the axis were not specified when being enlarged or reduced. The size of the axis will be constructed according to the specification table.
2. When this series of stroke exceeds (includes) 1500mm, as see the property information for the length of the piston. Within 1500mm see the (PM) length of piston.
3. The screw nut specification of this series of axis over M50 is round and W stands for its external diameter.

方型重油油壓缸CA,CB尺寸圖 14Mpa Hydraulic Cylinders CA,CB Dimensional Features

HOB HOB+CA TYPE



HOB HOB+CB TYPE



BORE	SIZE	HOB TYPE													CA-CB TYPE							
		ØB	C	E	F	G	H	N	P	PM	PT	S	T	ZC	ZCB	ØCD	CL	CM	CN	CR	CV	CW
Ø40	25	M22XP1.5	40	20	17	33	28	76	30	3/8	50	13	173	190	16	42	17	25	15	22	23	47
Ø50	30	M26XP1.5	40	20	17	38	30	85	35	3/8	55	13	195	212	20	52	17	35	20	22	23	47
Ø63	35	M30XP1.5	45	20	17	38	30	85	35	3/8	55	13	205	222	25	62	17	45	25	30	31	59
Ø80	40	M30XP1.5	45	20	20	38	35	107	50	1/2	75	13	238	258	30	70	20	50	30	35	36	76
Ø100	50	M40XP2.0	55	25	20	41	37	123.5	60	1/2	90	15	273	293	35	80	20	60	35	40	41	81
Ø125	60	M50XP2.0	70	35	30	57	47	143	70	3/4	100	15	339	369	50	100	30	70	50	55	56	106
Ø150	80	M70XP2.0	80	35	30	60	50	135	60	3/4	90	20	345	375	60	110	30	80	60	60	61	121
Ø180	100	M90XP2.0	100	35	40	65	55	172	70	1	120	20	415	455	80	140	40	100	80	80	81	161
Ø200	100	M90XP2.0	100	40	40	65	60	175	70	1	120	20	435	475	90	150	40	110	90	90	91	171

備註：

- 1.本系列軸心加大或縮小時如未註明長度尺寸時,依照本公司規定自行加工。
- 2.HO 系列行程未超過 1500mm時,活塞(PM)長度如附表,訂製行程如超過 1500mm時, 活塞長度請參閱特性資料表。
- 3.本系列行程若超過 2000mm(含)時,須加拉桿中間固定座
- 4.本系列軸心螺帽規格M50mm(含)以上時,其外徑為圓形。

- 1.The length and size of the axis were not specificide when being enlarged or reduced. The size of the axis will be constructed according to the specification tablet.
- 2.When this series of stroke exceeds(includes) 1500mm, as see the property information for the length of the piston. Within 1500mm see the (PM) length of piston.
- 3.When this series of stroke exceeds(includes) 2000mm,the fixed base of the pull rod must be added in the middle.
- 4.The screw nut specification of this series of axis over M50 is round and W stands for its external diameter.