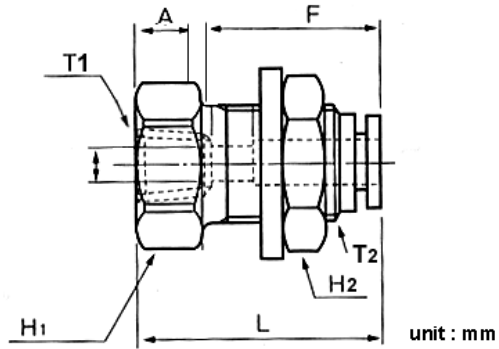


PMF



Fluid used	AIR (for compressed air only)	
Operating pressure	0 ~ 150 PSI	0~9.9Kg F/cm (0~990K Pa)
Negative pressure	-29.5 in Hg	-750mm Hg (10Torr)
Operating temperature range	32 ~140°F	0 ~60°C

ONE-TOUCH FITTING

- Fitting and tube can be easily connected and disconnected in one motion.

Tube Attachment

Disconnection - A secure connection is made by inserting the tube so that the ends touch, and disconnection is completed by simply pressing the sleeve with your finger and pulling the tube, which takes only 1-2 seconds. No tools are required for connecting or disconnecting the tube.

PRESSURE RESISTANCE	10.5Kg f/cm ² (1050Kpa)
MAX.WORKING PRESSURE	7Kg f/cm ² (700Kpa)
MIN. WORKING PRESSURE	1Kg f/cm ² (100Kpa)
ADJUSTED TEMP & FLUID TEMP	5~60°C

PMF	08	1/8
Model type	Hose size (φD)	Screw size

TUBE OUTER DIA

Metric Size							Inch Size				
CODE	4	6	8	10	12	16	5/32	1/14	5/16	3/8	1/2
Tube outer diametermm	f4	f6	f8	f10	f12	f16	f5/32	φ1/14	f5/16	φ3/8	φ1/2

Thread Type And Size

Metric Size					
CODE	M5	M6	M8	M10	M12
Tube outer diametermm	M5*0.8	M6*1	M8*1	M10*1	M12*1.25

Taper Pipe Thread55				
CODE	01	02	03	04
Tube outer diametermm	R1/8	R1/4	R3/8	R1/2

PMF Product Code

MODEL(ϕ D-T)			
Tube(Metric)-R Thread(PT)		Tube(Inch)-Thread(NPT)	
PMF 04-01	PMF 08-04	PMF 5/32-N01	PMF 1/2 -N03
PMF 04-02	PMF 10-01	PMF 1/4-N01	PMF 1/2-N04
PMF 04-03	PMF 10-02	PMF 1/4-N02	
PMF 06-01	PMF 10-03	PMF 5/16-N01	
PMF 06-02	PMF 10-04	PMF 5/16-N02	
PMF 06-03	PMF 12-02	PMF 5/16-N03	
PMF 08-01	PMF 12-03	PMF 3/8-N02	
PMF 08-02	PMF 12-04	PMF 3/8-N03	
PMF 08-03		PMF 1/2-N02	