
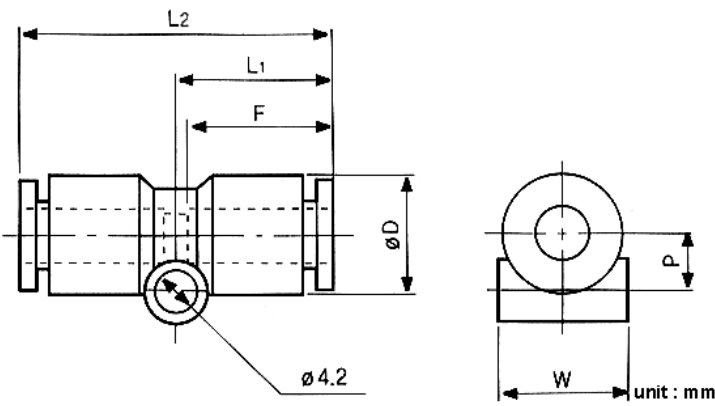


PUC

Fluid used	AIR (for compressed air only)	
Operating pressure	0 ~ 150 PSI	0~9.9Kg F/cm (0~990K Pa)
Negative pressure	-29.5 in Hg	-750mm Hg (10Torr)
Operating temperature range	32 ~140°F	0 ~60°C

ONE-TOUCH FITTING

- Fitting and tube can be easily connected and disconnected in one motion.

Tube Attachment

Disconnection - A secure connection is made by inserting the tube so that the ends touch, and detachment is completed by simply pressing the sleeve with your finger and pulling the tube, which takes only 1-2 seconds. No tools are required for connecting or detaching the tube.

PRESSURE RESISTANCE	10.5Kg f/cm ² (1050Kpa)
MAX.WORKING PRESSURE	7Kg f/cm ² (700Kpa)
MIN. WORKING PRESSURE	1Kg f/cm ² (100Kpa)
ADJUSTED TEMP & FLUID TEMP	5~60°C

PUC	08	1/8
Model type	Hose size (φD)	Screw size

TUBE OUTRTER DIA

	Metric Size						Inch Size				
CODE	4	6	8	10	12	16	5/32	1/14	5/16	3/8	1/2
Tube outer diameter mm	φ4	φ6	φ8	φ10	φ12	φ16	φ5/32	φ1/14	φ5/16	φ3/8	φ1/2

Thread Type And Size

Metric Size					
CODE	M5	M6	M8	M10	M12
Tube outer diameter mm	M5*0.8	M6*1	M8*1	M10*1	M12*1.25

Taper Pipe Thread55				
CODE	01	02	03	04
Tube outer diameter mm	R1/8	R1/4	R3/8	R1/2

PUC product code

MODEL(ϕ D-T)	
Tube(Metric)-R Thread(PT)	Tube(Inch)
PUC 04	PUC 5/32
PUC 06	PUC 1/4
PUC 08	PUC 5/16
PUC 10	PUC 3/8
PUC 12	PUC 1/2
PUC 16	PUC 3/16