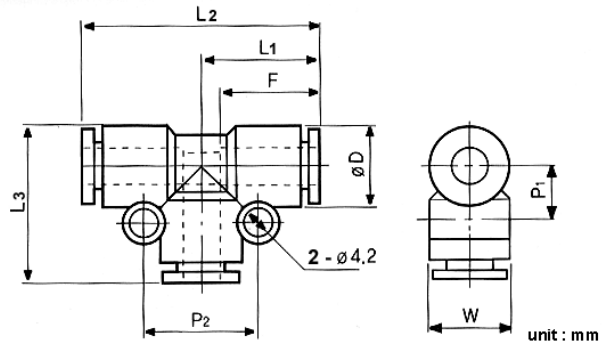


PUG



Fluid used	AIR (for compressed air only)	
Operating pressure	0 ~ 150 PSI	0~9.9Kg f/cm ² (0~990K Pa)
Negative pressure	-29.5 in Hg	-750mm Hg (10Torr)
Operating temperature range	32 ~140°F	0 ~60°C

ONE-TOUCH FITTING

- Fitting and tube can be easily connected and disconnected in one motion.

Tube Attachment

Disconnection - A secure connection is made by inserting the tube so that the ends touch, and detachment is completed by simply pressing the sleeve with your finger and pulling the tube, which takes only 1-2 seconds. No tools are required for connecting or detaching the tube.

PRESSURE RESISTANCE	10.5Kg f/cm ² (1050Kpa)
MAX.WORKING PRESSURE	7Kg f/cm ² (700Kpa)
MIN. WORKING PRESSURE	1Kg f/cm ² (100Kpa)
ADJUSTED TEMP & FLUID TEMP	5~60°C

PUG	08	06
Model type	Hose size (φD)	Hose size (φD)

PUG product code

MODEL(ϕ D-T)	
Tube(Metric)-R Thread(PT)	Tube(Inch)
PUG 0604	PUG 3/16-5/32
PUG 0804	PUG 1/4-5/32
PUG 0806	PUG 5/16-1/4
PUG 1006	PUG 3/8 -1/4
PUG 1008	PUG 3/8 -5/16
PUG 1208	PUG 1/2 -3/8
PUG 1210	PUG 1/2 -3/8
PUG 1612	PUG 1/2 -3/8