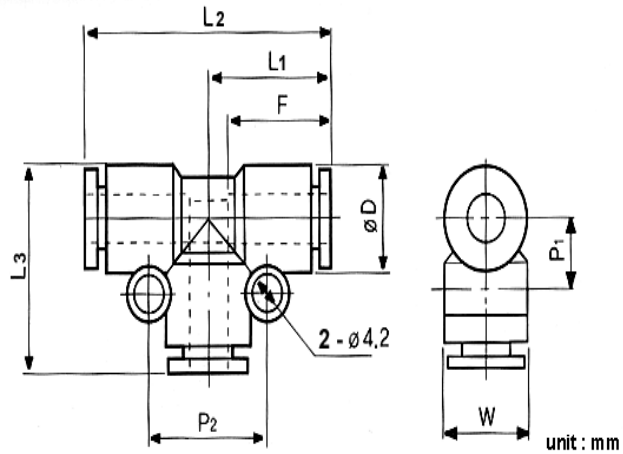


PUT



Fluid used	AIR (for compressed air only)	
Operating pressure	0 ~ 150 PSI	0~9.9Kg F/cm (0~990K Pa)
Negative pressure	-29.5 in Hg	-750mm Hg (10Torr)
Operating temperature range	32 ~140°F	0 ~60°C

ONE-TOUCH FITTING

- Fitting and tube can be easily connected and disconnected in one motion.

Tube Attachment

Disconnection - A secure connection is made by inserting the tube so that the ends touch, and detachment is completed by simply pressing the sleeve with your finger and pulling the tube, which takes only 1-2 seconds. No tools are required for connecting or detaching the tube.

PRESSURE RESISTANCE	10.5Kg f/cm²(1050Kpa)
MAX.WORKING PRESSURE	7Kg f/cm²(700Kpa)
MIN. WORKING PRESSURE	1Kg f/cm²(100Kpa)
ADJUSTED TEMP & FLUID TEMP	5~60°C

PUT	08	08
Model type	Hose size (φD)	Hose size (φD)

PUT product code

MODEL(φ D-T)	
Tube(Metric)-R Thread(PT)	Tube(Inch)
PUT 04	PUT 5/32
PUT 06	PUT 1/4
PUT 08	PUT 5/16
PUT 10	PUT 3/8
PUT 12	PUT 1/2
PUT 16	PUT 3/16