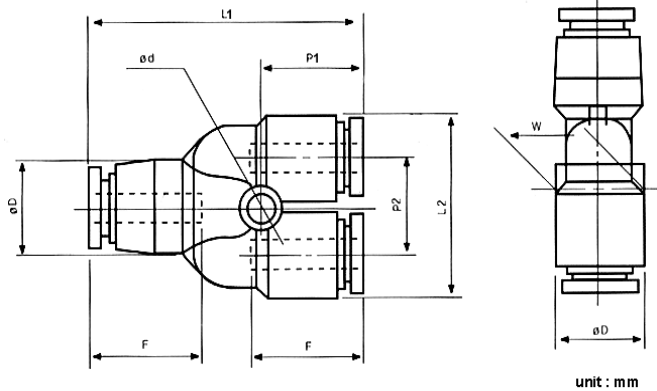


PY



unit : mm

Fluid used	AIR (for compressed air only)	
Operating pressure	0 ~ 150 PSI	0~9.9Kg F/cm (0~990K Pa)
Negative pressure	-29.5 in Hg	-750mm Hg (10Torr)
Operating temperature range	32 ~140°F	0 ~60°C

ONE-TOUCH FITTING

- Fitting and tube can be easily connected and disconnected in one motion.

Tube Attachment

Disconnection - A secure connection is made by inserting the tube so that the ends touch, and detachment is completed by simply pressing the sleeve with your finger and pulling the tube, which takes only 1-2 seconds. No tools are required for connecting or detaching the tube.

PRESSURE RESISTANCE	10.5Kg f/cm ² (1050Kpa)
MAX.WORKING PRESSURE	7Kg f/cm ² (700Kpa)
MIN. WORKING PRESSURE	1Kg f/cm ² (100Kpa)
ADJUSTED TEMP & FLUID TEMP	5~60°C

PY	08	08
Model type	Hose size (φD)	Hose size (φD)

PY Product Code

MODEL(ϕ D-T)	
Tube(Metric)-R Thread(PT)	Tube(Inch)
PY 04	PY 5/32
PY 06	PY 1/4
PY 08	PY 5/16
PY 10	PY 3/8
PY 12	PY 1/2
	PY 3/16