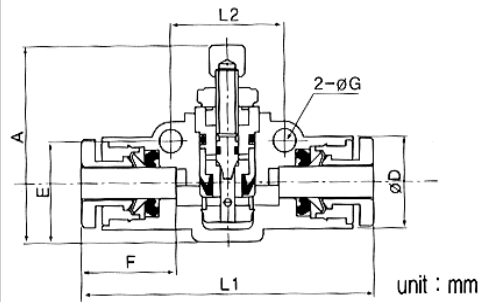


SCF (Union Staight)



- Speed controller with built-in one-touch whitening
- Excellent flow characteristics with easy fine adjustment in low flow range
- Nylon tube and urethane tube can be used together
- Available in a variety of types for convenient use
- Easy control of flow rate and flow rate
- Easy to set pipe direction
- Easy to work with as the screw is sealed (CHEMK Seal coating on screw part)



Detailed description

PRESSURE RESISTANCE	10.5Kg f/cm ² (1050Kpa)
MAX.WORKING PRESSURE	7Kg f/cm ² (700Kpa)
MIN. WORKING PRESSURE	1Kg f/cm ² (100Kpa)
ADJUSTED TEMP & FLUID TEMP	5~60°C

SCF	08	08
Model type	Hose size (φD)	Hose size (φD)

- ① **Classification** (Speed Controller SC)
 ② **Tube external diameter(mm)** (4, 6, 8, 10, 12)
 ③ **Screw size** (M5, PT1/8, 1/4, 3/8, 1/2)
 ④ **Method of control** (0:mether out I:meter In)

SCF

SCF 04
SCF 06
SCF 08
SCF 10
SCF 12