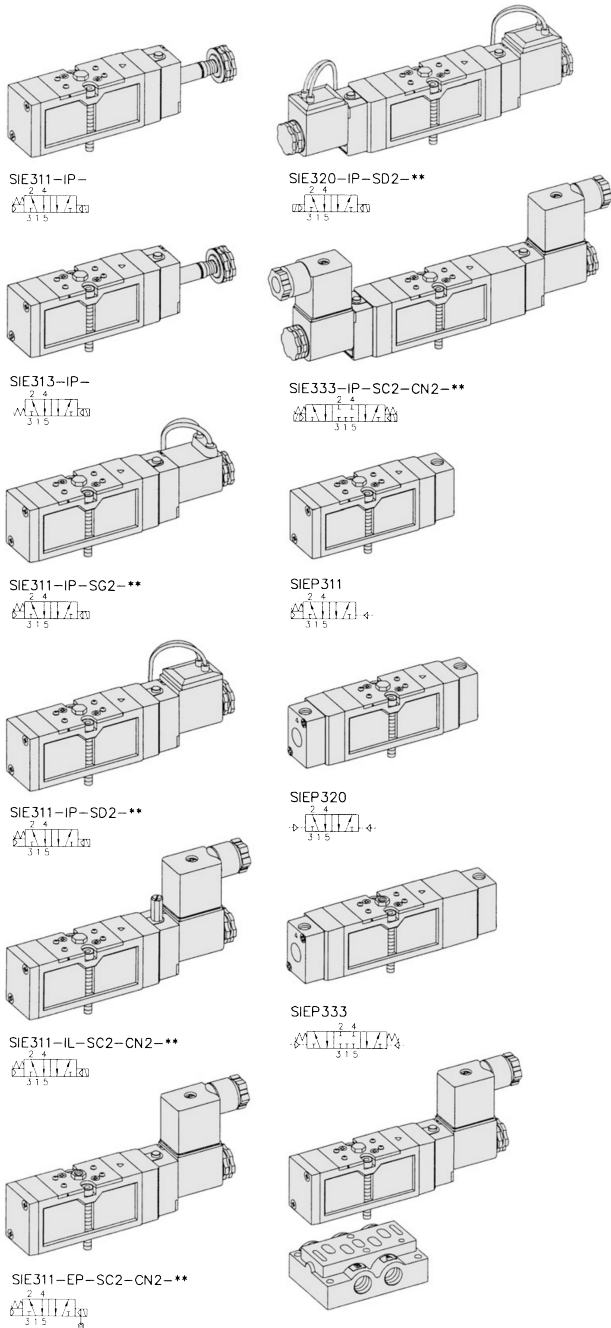


# SIE300

"E" ECONOMY Series  
Solenoid / Pneumatic Valves

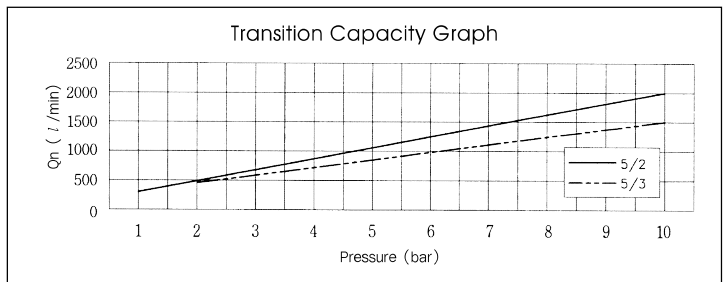
- 5/2, 5/3
- 26mm Body Width
- Sub-Base or Manifold Mounting Type
- Transition Flow 1000ℓ/min (5bar)



\*\* : Voltage Selection (see page 80)

## SPECIFICATION

ITEM	SERIES FUNCTION	SOLENOID, PNEUMATIC	
		5 Port 2 Position	5 Port 3 Position
Fluids		Compressed Air & Inert Gases	
Pressure(bar)		1.5~10.0	2.0~10.0
Eff. Sectional Area(mm <sup>2</sup> )-5bar		18.0	11.0
Ambient & Fluid Temp.		5~60°C (41~140°F)	
Response Time(5bar)		25ms or Less	35ms or Less
Max. Working Frequency		5c/sec	3c/sec
Lubrication		Not Required(Use ISO VG32#)	
Manual Override		Push Button(Standard), Lever Lock(Optional)	
Coil Insulation Class		F-Class or Equivalent	
Permissible Voltage Variation		±10% of Rated Voltage	
Off Min. Residual Voltage		AC:20% or Less / DC:10% or Less	
Power Consumption		Holding-AC:5.5VA(60Hz) / DC:2.5W	



### The Material of Parts

■ Valve Body : Die-Cast Aluminium	■ Pilot Parts : Glass Filled Nylon
■ Spool : Aluminium	■ Armature : Stainless Steel
■ Seals : NBR	■ Armature Seals : Viton
■ Spring : Stainless	
■ Cap : Zinc Pressure Die-Cast	

\* The specification on each item can be amended without any prenotice to improve a performance.  
\* The specification on each item can be different from actual specification.

## ORDERING NO.

**SIE3 1 1 - I P - SC2 - CN2 - A2**

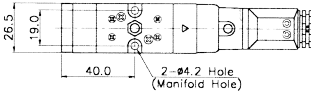
Valve Series	Function	Return Method	Int/Ext. Pilot	Manual Operator	Solenoid Coil Type	Connector Type	Voltage
SIE3 : Solenoid Valve	1 5/2 Single	0 None	I Internal Pilot	0 None	0 None	0 None	0 None
	2 5/2 Double	1 Air+Spring	E External Pilot	P Push Non-Locking	SC2 3 Pin Connector Coil	CN2 Normal Connector	A2 AC 220V
	3 5/3 Closed Center	2 Air		L Lever Locking	SG2 Grommet/Flying Leads	CD2 Connector With LED	A1 AC 110V
SIEP3 : Pneumatic Valve	4 5/3 Open Center	3 Spring			SD2 Grommet/Flying Leads With LED	CZ2 Connector With LED & Surge Suppressor	A4 AC 24V
	5 5/3 Pressure Center						D4 DC 24V D2 DC 12V

# Solenoid & Pilot Actuated Spool Valves

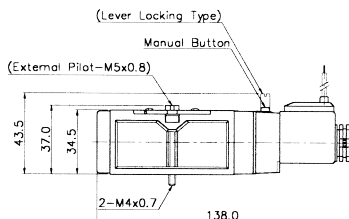
## 26mm Body Width

### 5Port 2Position Solenoid Valve

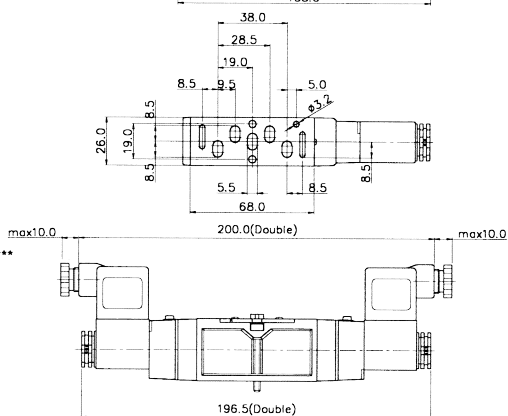
Single Solenoid  
SIE311-IP-SD2-\*\*\*



External Pilot  
SIE311-EP-SD2-\*\*\*

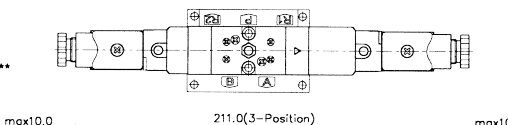


Double Solenoid  
SIE320-IP-SC2-CN2-\*\*\*

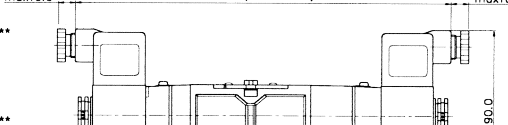


### 5Port 3Position Solenoid Valve

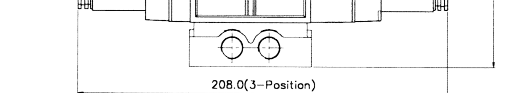
Closed Center  
SIE333-IP-SC2-CN2-\*\*\*



Exhaust Center  
SIE343-IP-SC2-CN2-\*\*\*

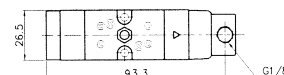


Pressure Center  
SIE353-IP-SC2-CN2-\*\*\*

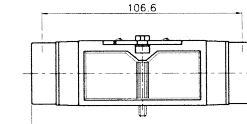
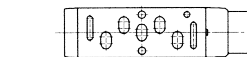
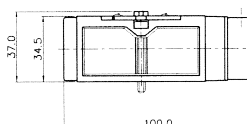


### 5Port 2Position Pneumatic Valve

Single Pneumatic  
SIEP311

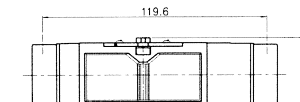


Double Pneumatic  
SIEP320

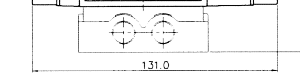


### 5Port 3Position Pneumatic Valve

Closed Center  
SIEP333



Exhaust Center  
SIEP343



Pressure Center  
SIEP353

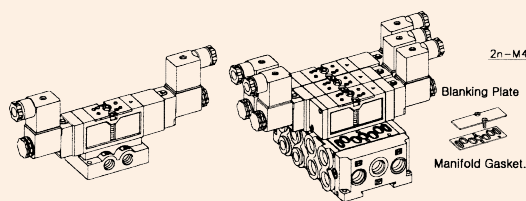


### Sub Base Ordering Code

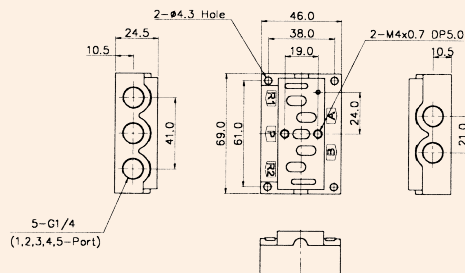
Sub Base Series	Port & Thread	Function	
SIB3	0 None	S	Single Station Sub Base, 1/4 Port Without Pilot Ports
SIE300 Solenoid Valve	1 G	SP	Single Station Sub Base, 1/4 Port With Pilot Ports
	2 NPT	DB	Double Modular Sub Base, 1/4 Port Without Pilot Ports
		DC8	Double Modular Sub Base, ø8 One-Touch Fitting
		E	End Cover, 1/4 Port
		EB	End Blanking Cover

## SIB30 SINGLE, DOUBLE SUB BASE

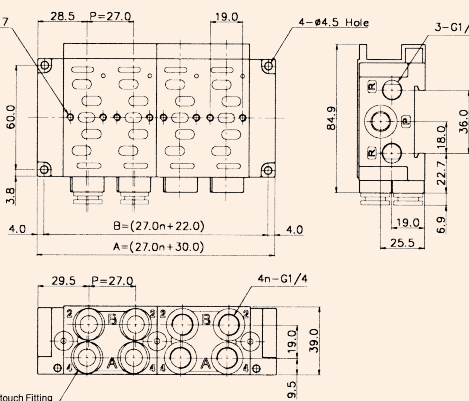
(SIE300 Solenoid & Pneumatic Valve Use Sub Base)



### Single Station Sub Base Dimension



### Double Modular Sub Base Dimension



DOUBLE MODULAR SUB BASE DIMENSION n=STATION

ITEM	n	2	4	6	8	10
B		76.0	130.0	184.0	238.0	292.0
A		84.0	138.0	192.0	246.0	300.0

### Ordering Code

SIB30-BLK Blanking Plate (Material: STS304)

Manifold Gasket. (Material: NBR)

### Ordering Code

SIB31-E End Cover, 1/4 (Material: AI)

### Ordering Code

SIB30-EB End Blanking Cover (Material: AI)

### Ordering Code

SIB31-DB Double Modular Sub Base, 1/4 (Material: AI)

### Ordering Code

SIB30-DC8 Double Modular Sub Base ø8 one-touch fitting (Material: AI)