

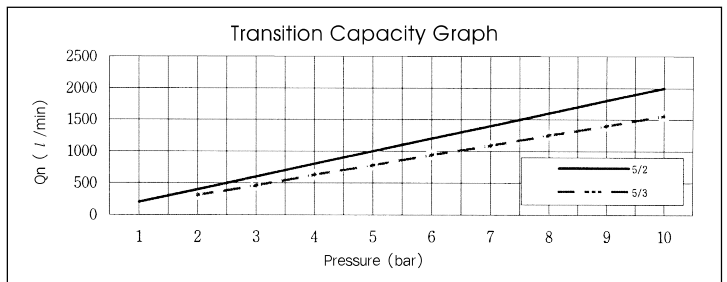
SIV300

ISO-0 15407-1 / VDMA 24563
Solenoid / Pneumatic Valves

- 5/2, 5/3
- 26mm Body Width
- Sub-Base or Manifold Mounting Type
- Transition Flow 1000ℓ/min (5bar)

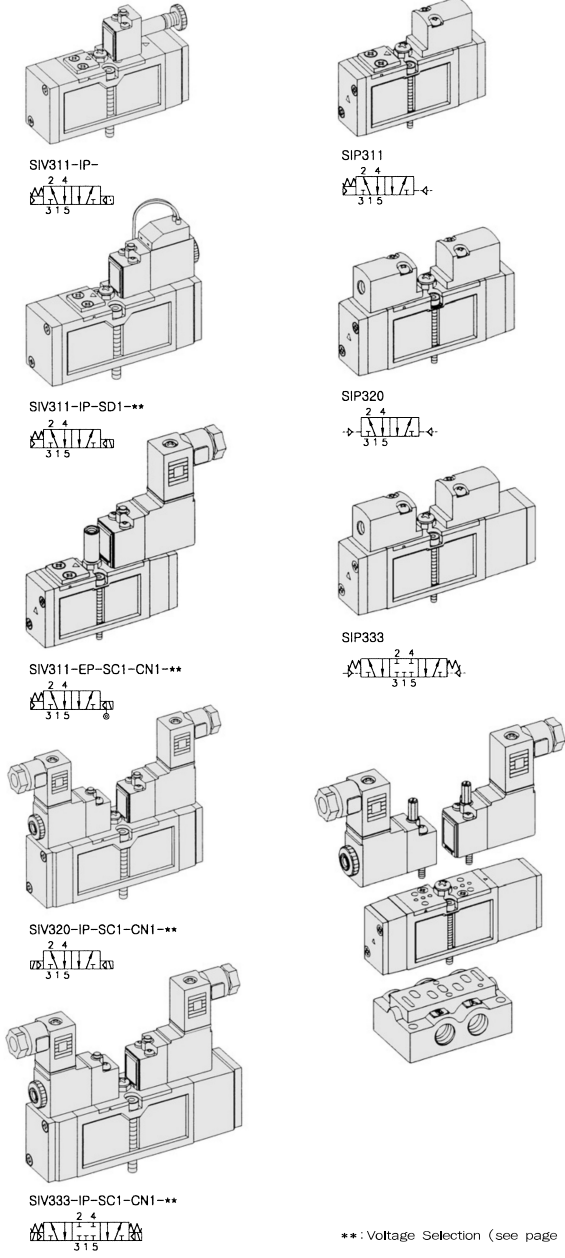
SPECIFICATION

ITEM	SERIES	SOLENOID, PNEUMATIC	
		FUNCTION	
		5 Port 2 Position	5 Port 3 Position
Fluids		Compressed Air & Inert Gases	
Pressure(bar)		1.5~10.0	2.0~10.0
Eff. Section Area(mm ²)-5bar		18.0	11.0
Ambient & Fluid Temp.		5~60°C (41~140°F)	
Response Time(5bar)		25ms or Less	35ms or Less
Max. Working Frequency		5c/sec	3c/sec
Lubrication		Not Required(Use ISO VG32#)	
Manual Override		Push Button(Standard), Lever Lock(Option)	
Coil Insulation Class		F-Class or Equivalent	
Permissible Voltage Variation		±10% of Rated Voltage	
Off Min. Residual Voltage		AC:20% or Less / DC:10% or Less	
Power Consumption		Holding-AC:3.5VA(60Hz) / DC:2.5W	



- ### The Material of Parts
- Valve Body : Die-Cast Aluminium
 - Spool : Aluminium
 - Seals : NBR
 - Spring : Stainless
 - Cap : Zinc Pressure Die-Cast
 - Pilot Parts : Glass Filled Nylon
 - Armature : Stainless Steel
 - Armature Seals : Viton

* The specification on each item can be amended without any prenotice to improve a performance.
* The specification on each item can be different from actual specification.



** : Voltage Selection (see page 80)

ORDERING NO.

SIV3 1 1 - I P - SC1 - CN1 - A2

Valve Series	Function	Return Method	Int/Ext. Pilot	Manual Operator	Solenoid Coil Type	Connector Type	Voltage			
SIV3 : Solenoid Valve	1	5/2 Single	0	None	0	None	0	None		
	2	5/2 Double	1	Air + Spring	SC1	3 Pin Connector Coil	CN1	Normal Connector	A2	AC 220V
	3	5/3 Closed Center	1	Air + Spring	SG1	Grommet/Flying Leads	CD1	Connector With LED	A1	AC 110V
	4	5/3 Open Center	2	Air	SD1	Grommet/Flying Leads With LED	CZ1	Connector With LED & Surge Suppressor	A4	AC 24V
SIP3 : Pneumatic Valve	5	5/3 Pressure Center	3	Spring	SL1	90 Degree Plug-in Wire Assembly With LED		D4	DC 24V	
					SM1	180 Degree Plug-in Wire Assembly With LED		D2	DC 12V	

Solenoid & Pilot Actuated Spool Valves

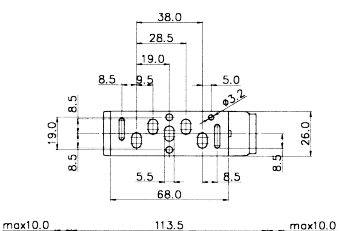
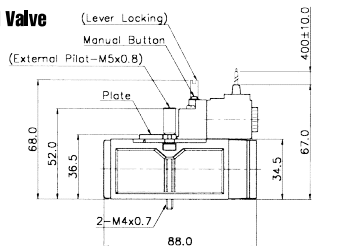
26mm Body Width

5Port 2Position Solenoid Valve

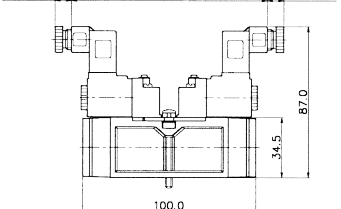
Single Solenoid
SIV311-IP-SG1-***



External Pilot
SIV311-EP-SG1-***

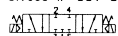


Double Solenoid
SIV320-IP-SC1-CN1-***

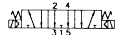


5Port 3Position Solenoid Valve

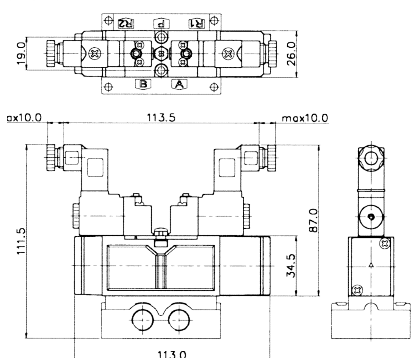
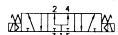
Closed Center
SIV333-IP-SC1-CN1-***



Exhaust Center
SIV343-IP-SC1-CN1-***



Pressure Center
SIV353-IP-SC1-CN1-***



5Port 2Position Pneumatic Valve

Single Pneumatic
SIP311

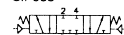


Double Pneumatic
SIP320

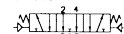


5Port 3Position Pneumatic Valve

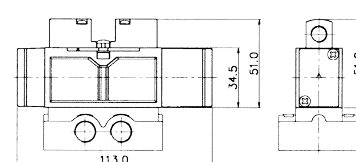
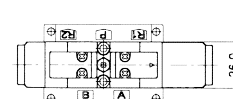
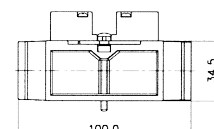
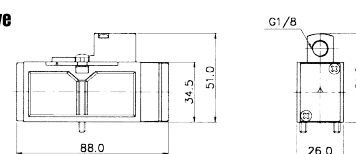
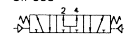
Closed Center
SIP333



Exhaust Center
SIP343



Pressure Center
SIP353

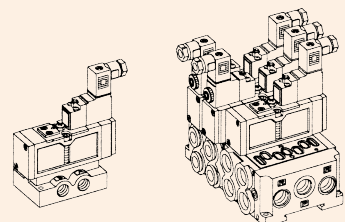


Sub Base Ordering Code

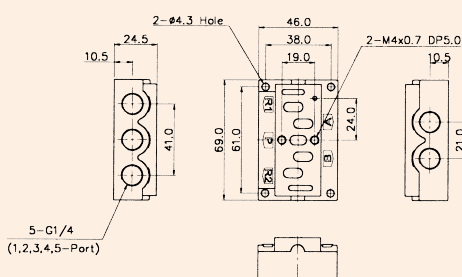
SIB3 1 - S		
Base Series	Port & Thread	Function
SIB3	0 None	S Single Station Sub Base, 1/4 Port Without Pilot Ports
SIV300 Solenoid Valve	1 G	SP Single Station Sub Base, 1/4 Port With Pilot Ports
	2 NPT	DB Double Modular Sub Base, 1/4 Port Without Pilot Ports
		DC8 Double Modular Sub Base, ø8 One-Touch Fitting
		E End Cover, 1/4 Port
		EB End Blanking Cover

SIB30 SINGLE, DOUBLE SUB BASE

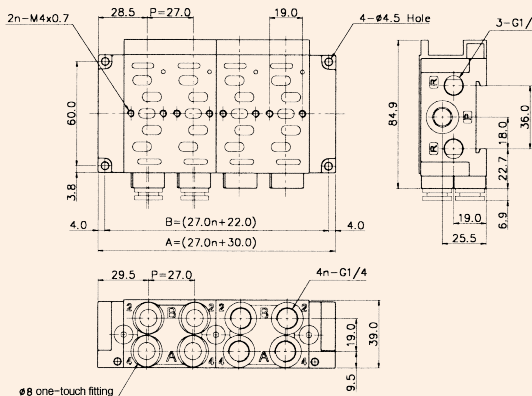
(SIV300 Solenoid & Pneumatic Valve Use Sub Base)



Single Station Sub Base Dimension



Double Modular Sub Base Dimension



DOUBLE MODULAR SUB BASE DIMENSION		n = STATION				
ITEM	n	2	4	6	8	10
B		76.0	130.0	184.0	238.0	292.0
A		84.0	138.0	192.0	246.0	300.0

Ordering Code

SIB30-BLK Blanking Plate (Material: STS304)

Manifold Gasket (Material: NBR)

Ordering Code

SIB31-E End Cover, 1/4 (Material: Al)

Ordering Code

SIB30-EB End Blanking Cover (Material: Al)

Ordering Code

SIB31-DB Double Modular Sub Base, 1/4 (Material: Al)

Ordering Code

SIB30-DC8 Double Modular Sub Base ø8 one-touch fitting (Material: Al)