

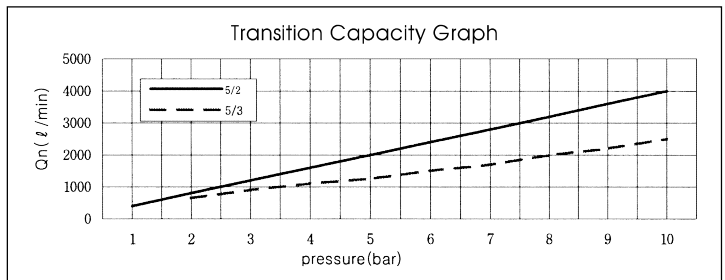
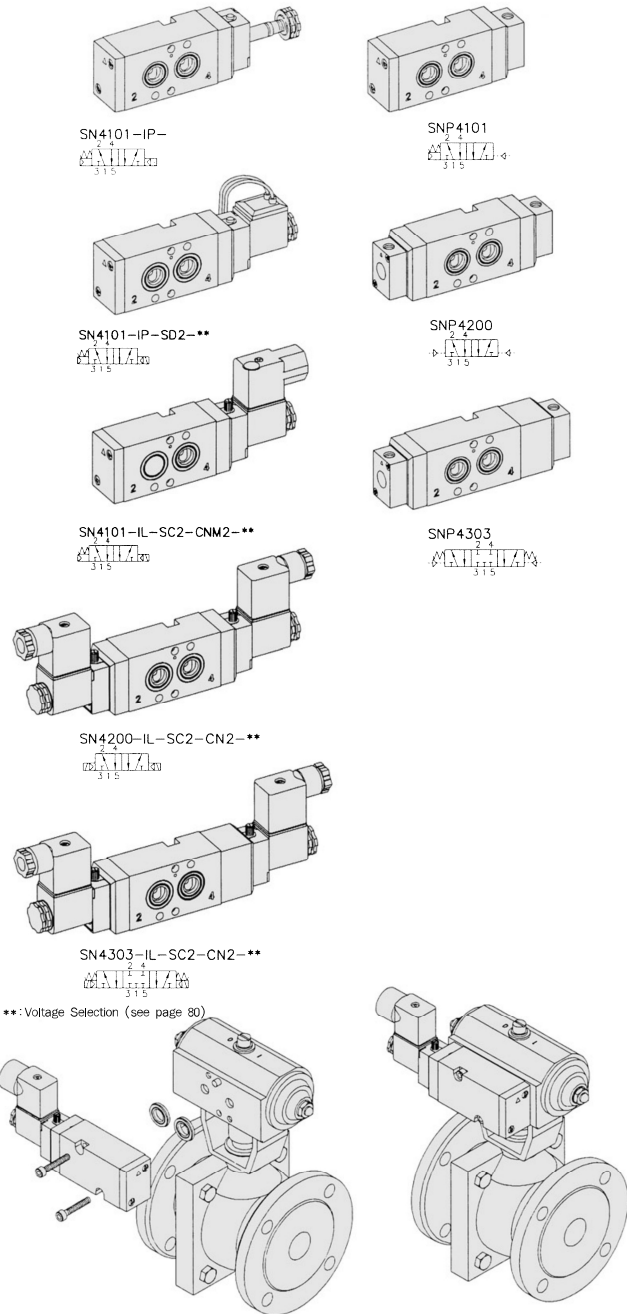
# SN4000. 1/4

NAMUR Interface  
Solenoid / Pneumatic Valves

- 5/2, 5/3-1/4
- 30mm Body Width
- Transition Flow 1800ℓ/min (5bar)

## SPECIFICATION

ITEM	SERIES	SOLENOID, PNEUMATIC	
		FUNCTION	
		5 Port 2 Position	5 Port 3 Position
Fluids		Compressed Air & Inert Gases	
Pressure(bar)		1.5~10.0	2.0~10.0
Eff. Sectional Area(mm <sup>2</sup> )-5bar		32.0	16.0
Ambient & Fluid Temp.		5~60°C (41~140°F)	
Response Time(5bar)		30ms or Less	40ms or Less
Max. Working Frequency		5c/sec	3c/sec
Lubrication		Not Required(Use ISO VG32#)	
Manual Override		Push Button(Standard), Lever Lock(Optional)	
Coil Insulation Class		F-Class or Equivalent	
Permissible Voltage Variation		±10% of Rated Voltage	
Off Min. Residual Voltage		AC:20% or Less / DC:10% or Less	
Power Consumption		Holding-AC:5.5VA(60Hz) / DC:2.5W	

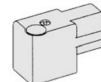


### The Material of Parts

- Valve Body : Die-Cast Aluminium
- Spool : Aluminium
- Seals : NBR
- Spring : Stainless
- Cap : Zinc Pressure Die-Cast
- Pilot Parts : Glass Filled Nylon
- Armature : Stainless Steel
- Armature Seals : Viton

### Option Parts

Metal Connector  
(Material:ZnDC)



CNM2

3Port Blanking Ring  
(Material:Al)



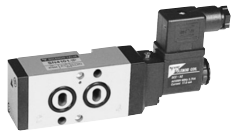
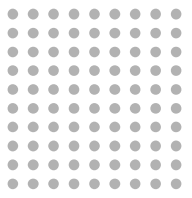
SN3000-BLK

\* The specification on each item can be amended without any prenotice to improve a performance.  
\* The specification on each item can be different from actual specification.

## ORDERING NO.

**SN4 1 0 1 - I P - SC2 - CM2 - A2**

Valve Series	Function	Port Size & Thread	Return Method	Int/Ext. Pilot	Manual Operator	Solenoid Coil Type	Connector Type	Voltage
SN4: Solenoid Valve	1 5/2 Single	0 G 1/4	0 None	1 Internal Pilot	0 None	0 None	0 None	0 None
	2 5/2 Double	1 NPT 1/4	1 Air + Spring		P Push	SC2 3 Pin Connector Coil	CN2 Normal Connector	A2 AC 220V
	3 5/3 Closed Center		2 Air		Non-Locking	SG2 Grommet/Flying Leads	CD2 Connector With LED	A1 AC 110V
	4 5/3 Open Center		3 Spring		L Lever Locking	SD2 Grommet/Flying Leads With LED	CZ2 Connector With LED & Surge Suppressor	A4 AC 24V
SNP4: Pneumatic Valve	5 5/3 Pressure Center						D4 DC 24V	D2 DC 12V
							CNM2 Metal Connector	
							CDM2 Metal Connector With LED	
						CZM2 Metal Connector With LED & Surge Suppressor		



# Solenoid & Pilot Actuated Spool Valves

**5Port 2Position Solenoid Valve**  
Single Solenoid  
SN4101-IL-SD2-\*\*-\*\*

**SN4101-IL-SC2-CNM2-\*\*-\*\***

**Double Solenoid**  
SN4200-IL-SC2-CNM2-\*\*-\*\*

**5Port 3Position Solenoid Valve**  
Closed Center  
SN4303-IL-SC2-CNM2-\*\*-\*\*

**Exhaust Center**  
SN4403-IL-SC2-CNM2-\*\*-\*\*

**Pressure Center**  
SN4503-IL-SC2-CNM2-\*\*-\*\*

**5Port 2Position Pneumatic Valve**  
Single Pneumatic  
SNP4101

**Double Pneumatic**  
SNP4200

**5Port 3Position Pneumatic Valve**  
Closed Center  
SNP4303

**Exhaust Center**  
SNP4403

**Pressure Center**  
SNP4503

**Sealing Part Dimension**

Sealing Area

**3-Port Blanking Part (Material : Al)**

Single Acting Use Plate  
SN3000-PLate

SN3000-BLK

**Metal Connector (Material : ZnDC)**

CNM2