

# SF (FLEXIBLE) Series

## 5/2, 5/3, 3/2 Solenoid, Pneumatic Valve

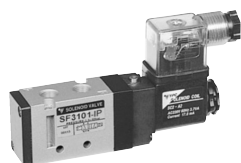
### CHAPTER 03



SF1000  
Body Width-15mm  
Thread-M5



SF2000  
Body Width-18mm  
Thread-1/8



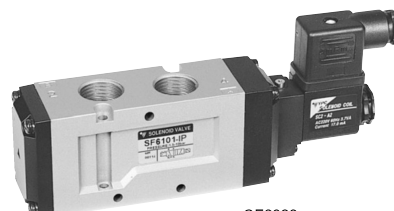
SF3000  
Body Width-23mm  
Thread-1/8



SF4000  
Body Width-26mm  
Thread-1/4



SF5000  
Body Width-32mm  
Thread-3/8



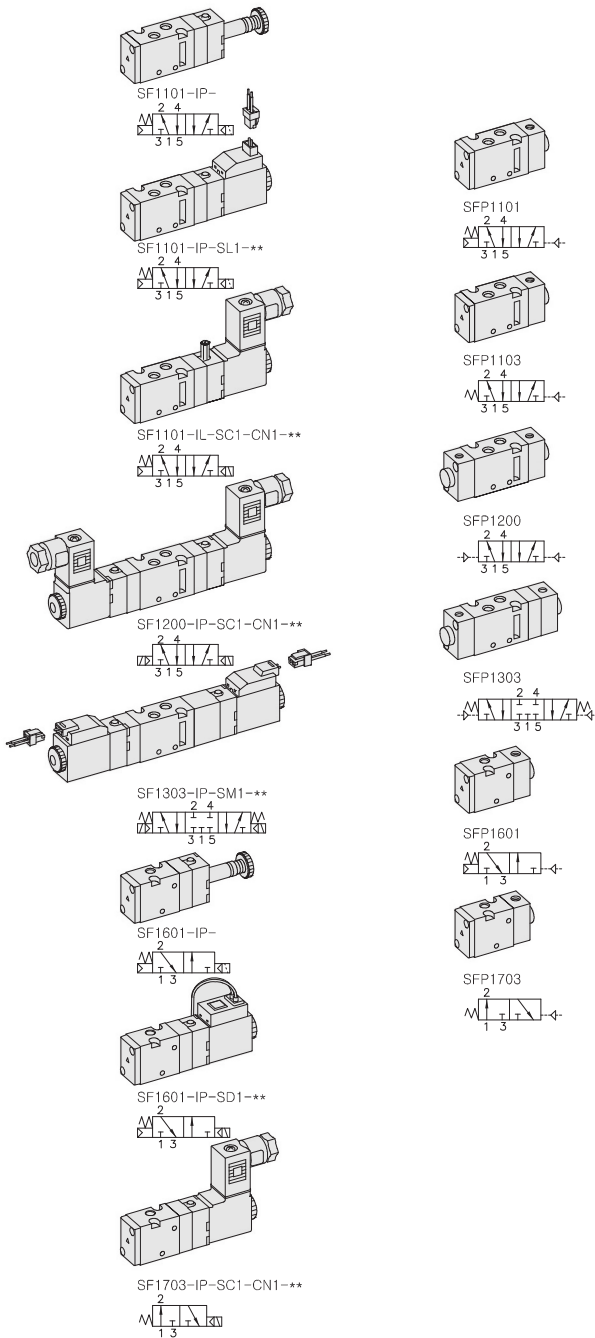
SF6000  
Body Width-36mm  
Thread-1/2

- SF1000
- SF2000
- SF3000
- SF4000
- SF5000
- SF6000

# SF1000. M5

"F" FLEXIBLE Series  
Solenoid / Pneumatic Valves

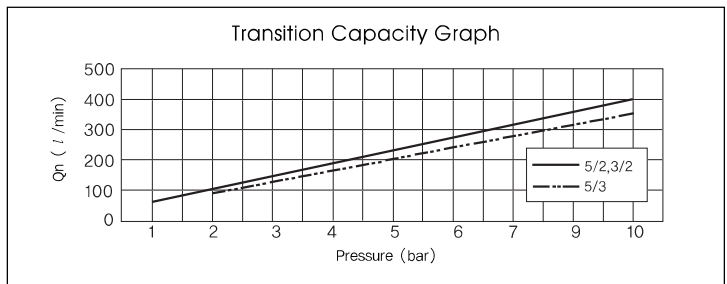
- 5/2, 5/3, 3/2 - M5
- 15mm Body Width
- Transition Flow 200ℓ/min (5bar)



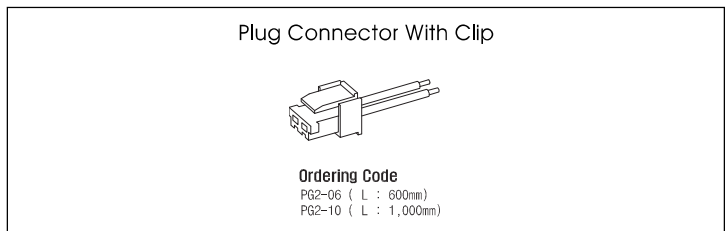
\*\* : Voltage Selection (see page 80)

## SPECIFICATION

ITEM	SERIES	SOLENOID, PNEUMATIC	
		FUNCTION	
		5, 3 Port 2 Position	5 Port 3 Position
Fluids		Compressed Air & Inert Gases	
Pressure(bar)		1.5~10.0	2.0~10.0
Eff. Section Area(mm <sup>2</sup> )-5bar		3.6	3.0
Ambient & Fluid Temp.		5~60°C (41~140°F)	
Response Time(5bar)		25ms or Less	35ms or Less
Max. Working Frequency		5c/sec	3c/sec
Lubrication		Not Required(Use ISO VG32 #)	
Manual Override		Push Button(Standard), Lever Lock(Optional)	
Coil Insulation Class		F-Class or Equivalent	
Permissible Voltage Variation		±10% of Rated Voltage	
Off Min. Residual Voltage		AC:20% or Less / DC:10% or Less	
Power Consumption		Holding-AC:3.5VA(60Hz) / DC:2.5W	



- ### The Material of Parts
- Valve Body : Die-Cast Aluminium
  - Spool : Aluminium
  - Seals : NBR
  - Spring : Stainless
  - Cap : Zinc Pressure Die-Cast
  - Pilot Parts : Glass Filled Nylon
  - Armature : Stainless Steel
  - Armature Seals : Viton

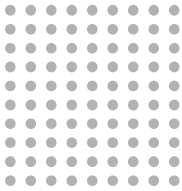


\* The specification on each item can be amended without any prenotice to improve a performance.  
\* The specification on each item can be different from actual specification.

## ORDERING NO.

**SF1 1 0 1 - I P - SC1 - CN1 - A2**

Valve Series	Function	Port Size & Thread	Return Method	Int/Ext. Pilot	Manual Operator	Solenoid Coil Type	Connector Type	Voltage
SF1 : Solenoid Valve	1 5/2 Single	0 M5×0.8	0 None	I Internal Pilot	0 None	0 None	0 None	0 None
	2 5/2 Double	1 10-32 UNF	1 Air+Spring		P Push	SC1 3 Pin Connector Coil	CN1 Normal Connector	A2 AC 220V
	3 5/3 Closed Center		2 Air		Non-Locking	SG1 Grommet/Flying Leads	CD1 Connector With LED	A1 AC 110V
SFP1 : Pneumatic Valve	4 5/3 Open Center		3 Spring	L Lever Locking	SD1 Grommet/Flying Leads With LED	CZ1 Connector With LED & Surge Suppressor	A4 AC 24V	
	5 5/3 Pressure Center			SL1 90 Degree Plug-in Wire Assembly With LED		D4 DC 24V		
	6 3/2 Normally Closed			SM1 180 Degree Plug-in Wire Assembly With LED		D2 DC 12V		
	7 3/2 Normally Open							

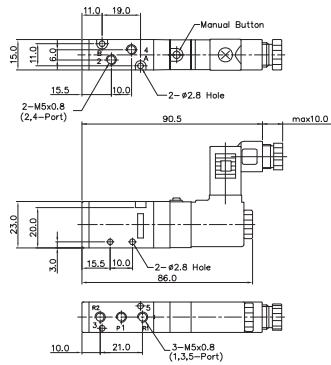


# Solenoid & Pilot Actuated Spool Valves

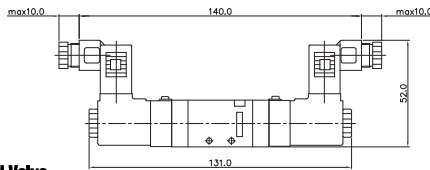
Port Thread **M5 × 0.8**

## 5Port 2Position Solenoid Valve

Single Solenoid  
SF1101-IP-SC1-CN1-\*\*\*

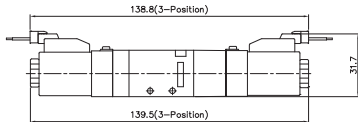


Double Solenoid  
SF1200-IP-SC1-CN1-\*\*\*



## 5Port 3Position Solenoid Valve

Closed Center  
SF1303-IP-SM1-\*\*\*



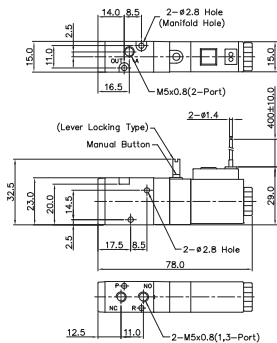
Exhaust Center  
SF1403-IP-SM1-\*\*\*

Pressure Center  
SF1503-IP-SM1-\*\*\*

## 3Port 2Position Solenoid Valve

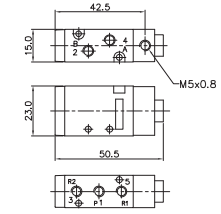
Normally Closed  
SF1601-IP-SD1-\*\*\*

Normally Open  
SF1701-IP-SD1-\*\*\*

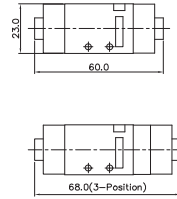


## 5Port 2Position Pneumatic Valve

Single Pneumatic  
SFP1101



Double Pneumatic  
SFP1200



## 5Port 3Position Pneumatic Valve

Closed Center  
SFP1303

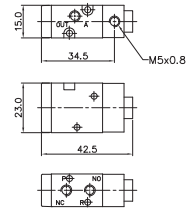
Exhaust Center  
SFP1403

Pressure Center  
SFP1503

## 3Port 2Position Pneumatic Valve

Normally Closed  
SFP1601

Normally Open  
SFP1701

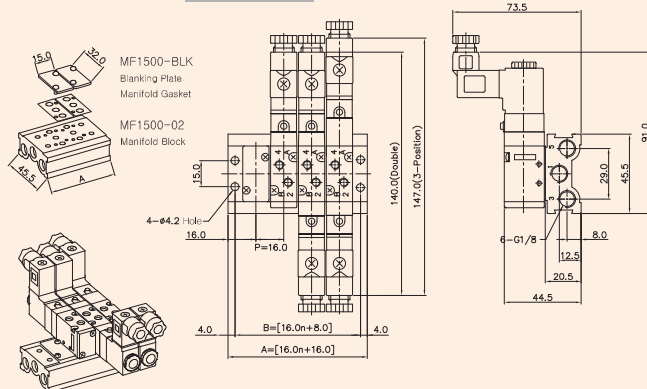


# MF1000 MANIFOLD BLOCK

(SF1000 Solenoid & Pneumatic Valve Use)

## 5-Port Manifold Block

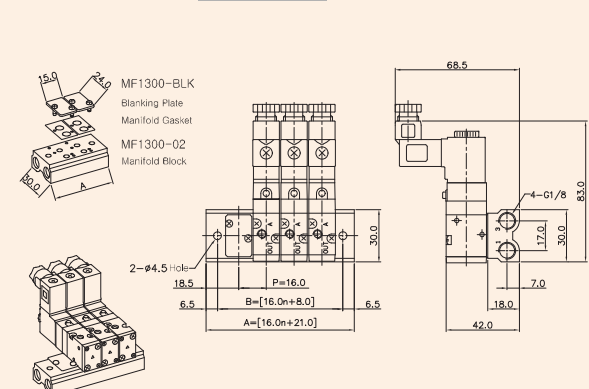
MF1500-4



5PORT MANIFOLD BLOCK DIMENSION		n-STATION				
ITEM		2	4	6	8	10
B		40.0	72.0	104.0	136.0	168.0
A		48.0	80.0	112.0	144.0	176.0

## 3-Port Manifold Block

MF1300-4



3PORT MANIFOLD BLOCK DIMENSION		n-STATION				
ITEM		2	4	6	8	10
B		40.0	72.0	104.0	136.0	168.0
A		53.0	85.0	117.0	149.0	181.0

## Manifold Block Ordering Code

**MF 1500 - 2**

Series	Manifold Station
MF1500	5 Way
MF1300	3 Way
	02 2-Station
	04 4-Station
	06 6-Station
	08 8-Station
	10 10-Station

## Blanking Plate Ordering Code

MF1500-BLK

Blanking Plate. (Material : SCP1)  
Manifold Gasket. (Material : NBR)

MF1300-BLK

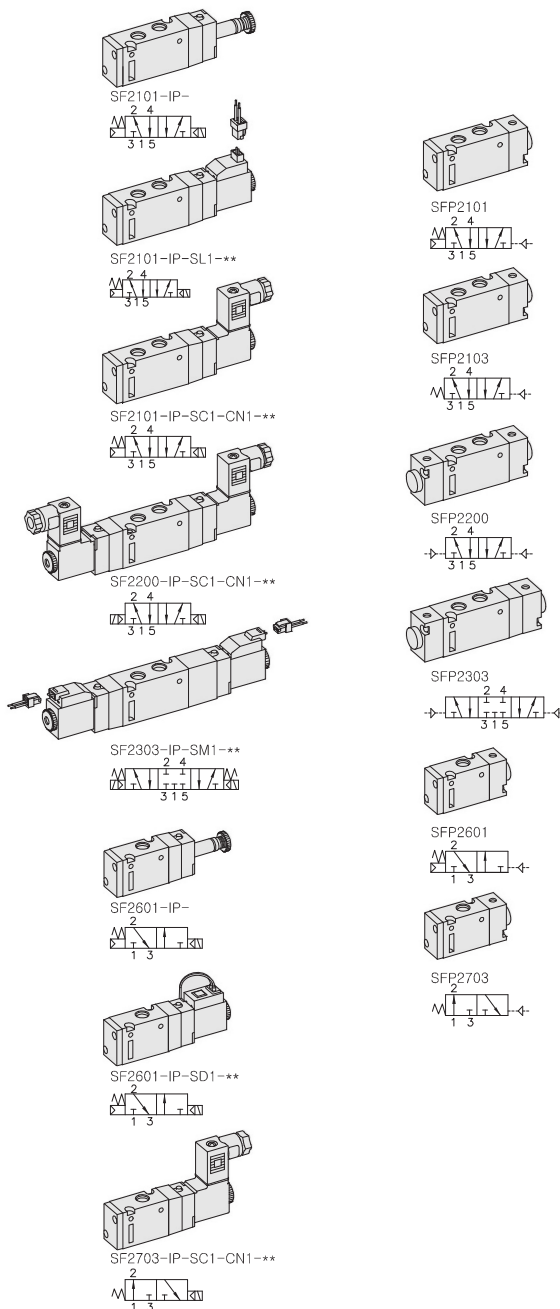
Blanking Plate. (Material : SCP1)  
Manifold Gasket. (Material : NBR)

# SF2000. 1/8

"F" FLEXIBLE Series

Solenoid / Pneumatic Valves

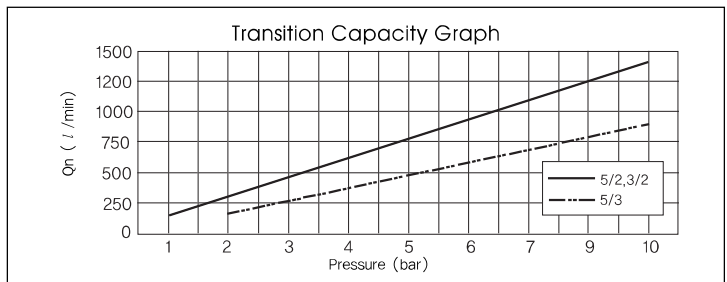
- 5/2, 5/3, 3/2 - 1/8
- 18mm Body Width
- Transition Flow 700ℓ/min (5bar)



\*\* : Voltage Selection (see page 80)

## SPECIFICATION

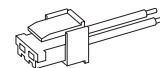
ITEM	SERIES	SOLENOID, PNEUMATIC	
		FUNCTION	
		5, 3 Port 2 Position	5 Port 3 Position
Fluids		Compressed Air & Inert Gases	
Pressure(bar)		1,5~10,0	2,0~10,0
Eff. Section Area(mm <sup>2</sup> )-5bar		12,6	9,0
Ambient & Fluid Temp.		5~60°C (41~140°F)	
Response Time(5bar)		25ms or Less	35ms or Less
Max. Working Frequency		5c/sec	3c/sec
Lubrication		Not Required(Use ISO VG32 #)	
Manual Override		Push Button(Standard), Lever Lock(Optional)	
Coil Insulation Class		F-Class or Equivalent	
Permissible Voltage Variation		±10% of Rated Voltage	
Off Min. Residual Voltage		AC:20% or Less / DC:10% or Less	
Power Consumption		Holding-AC:3,5VA(60Hz) / DC:2,5W	



### The Material of Parts

- Valve Body : Die-Cast Aluminium
- Spool : Aluminium
- Seals : NBR
- Spring : Stainless
- Cap : Zinc Pressure Die-Cast
- Pilot Parts : Glass Filled Nylon
- Armature : Stainless Steel
- Armature Seals : Viton

### Plug Connector With Clip



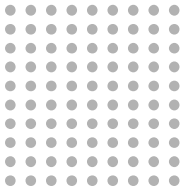
**Ordering Code**  
 PG2-06 ( L : 600mm)  
 PG2-10 ( L : 1,000mm)

\* The specification on each item can be amended without any prenotice to improve a performance.  
 \* The specification on each item can be different from actual specification.

## ORDERING NO.

**SF2 1 0 1 - I P - SC1 - CN1 - A2**

Valve Series	Function	Port Size & Thread	Return Method	Int/Ext. Pilot	Manual Operator	Solenoid Coil Type	Connector Type	Voltage
SF2 : Solenoid Valve	1 5/2 Single	0 G 1/8	0 None	I Internal Pilot	0 None	0 None	0 None	0 None
	2 5/2 Double	1 NPT 1/8	1 Air+Spring		P Push	SC1 3 Pin Connector Coil	CN1 Normal Connector	A2 AC 220V
	3 5/3 Closed Center		2 Air		Non-Locking	SG1 Grommet/Flying Leads	CD1 Connector With LED	A1 AC 110V
SFP2 : Pneumatic Valve	4 5/3 Open Center		3 Spring	L Lever Locking	SD1 Grommet/Flying Leads With LED	CZ1 Connector With LED & Surge Suppressor	A4 AC 24V	
	5 5/3 Pressure Center				SL1 90 Degree Plug-in Wire Assembly With LED		D4 DC 24V	
	6 3/2 Normally Closed				SM1 180 Degree Plug-in Wire Assembly With LED		D2 DC 12V	
	7 3/2 Normally Open							

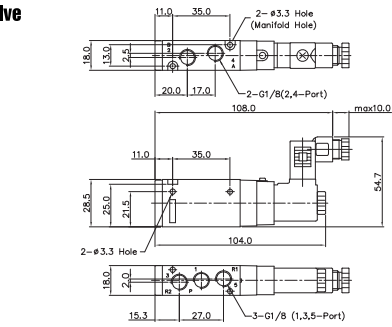


# Solenoid & Pilot Actuated Spool Valves

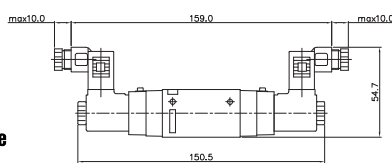
Port Thread 1/8

## 5Port 2Position Solenoid Valve

Single Solenoid  
SF2101-IP-SC1-CN1-\*\*\*

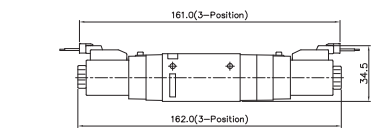


Double Solenoid  
SF2200-IP-SC1-CN1-\*\*\*



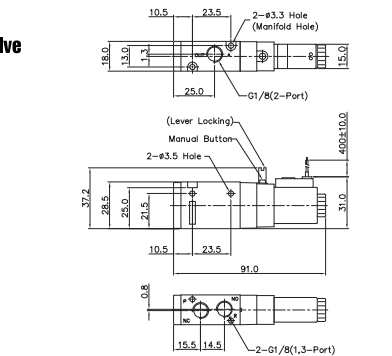
## 5Port 3Position Solenoid Valve

Closed Center  
SF2303-IP-SM1-\*\*\*  
Exhaust Center  
SF2403-IP-SM1-\*\*\*  
Pressure Center  
SF2503-IP-SM1-\*\*\*



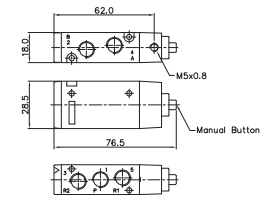
## 3Port 2Position Solenoid Valve

Normally Closed  
SF2601-IP-SD1-\*\*\*  
Normally Open  
SF2701-IP-SD1-\*\*\*

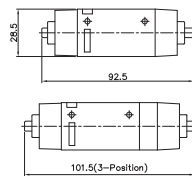


## 5Port 2Position Pneumatic Valve

Single Pneumatic  
SFP2101



Double Pneumatic  
SFP2200

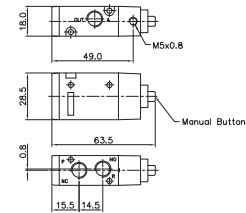


## 5Port 3Position Pneumatic Valve

Closed Center  
SFP2303  
Exhaust Center  
SFP2403  
Pressure Center  
SFP2503

## 3Port 2Position Pneumatic Valve

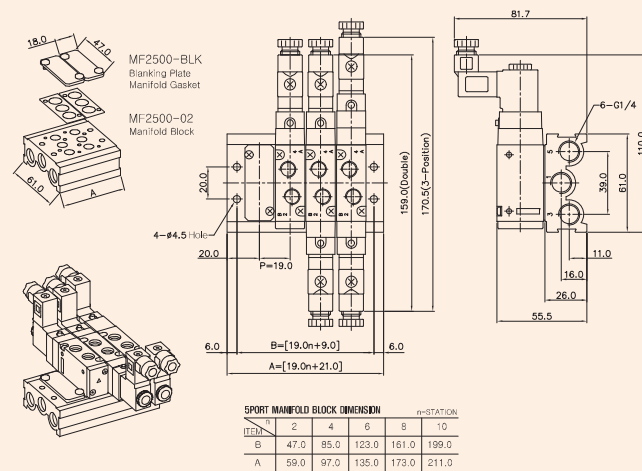
Normally Closed  
SFP2601  
Normally Open  
SFP2701



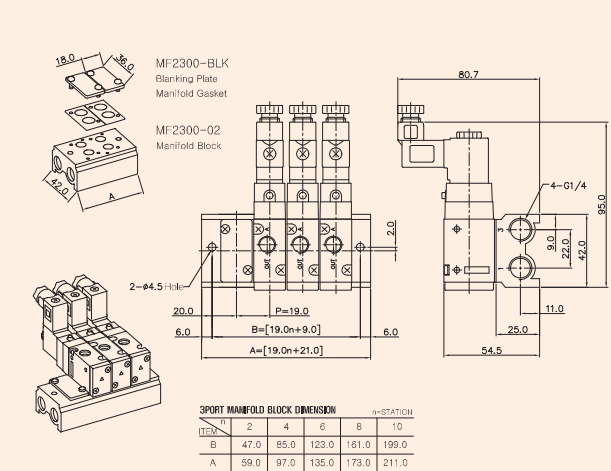
# MF2000 MANIFOLD BLOCK

(SF2000 Solenoid & Pneumatic Valve Use)

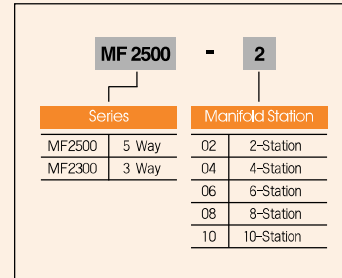
## 5-Port Manifold Block MF2500-4



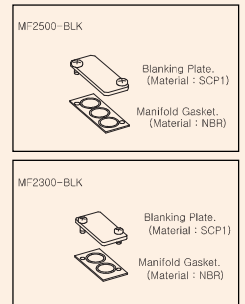
## 3-Port Manifold Block MF2300-4



## Manifold Block Ordering Code



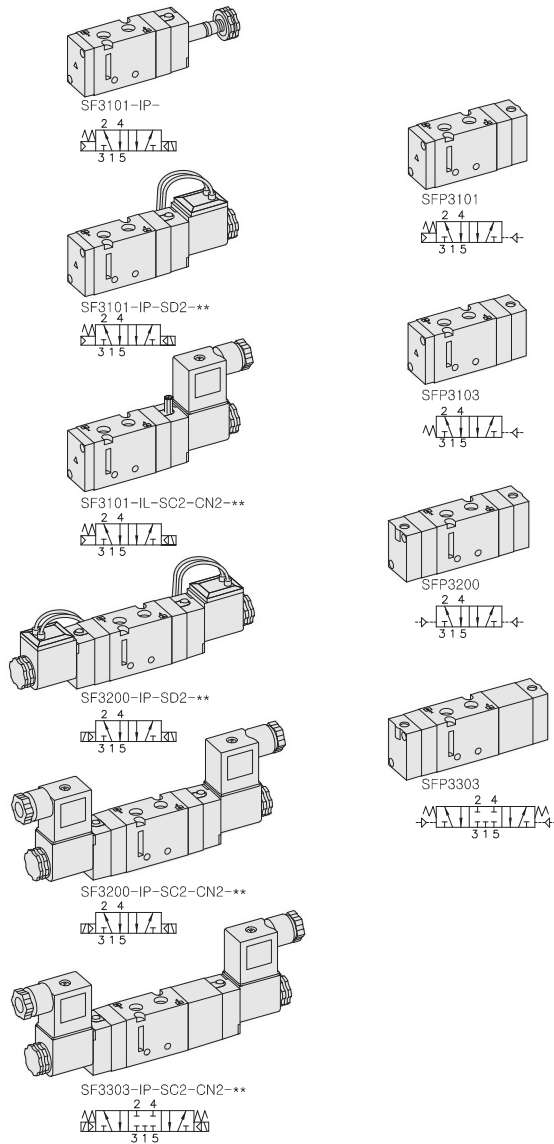
## Blanking Plate Ordering Code



# SF3000. 1/8

"F" FLEXIBLE Series  
Solenoid / Pneumatic Valves

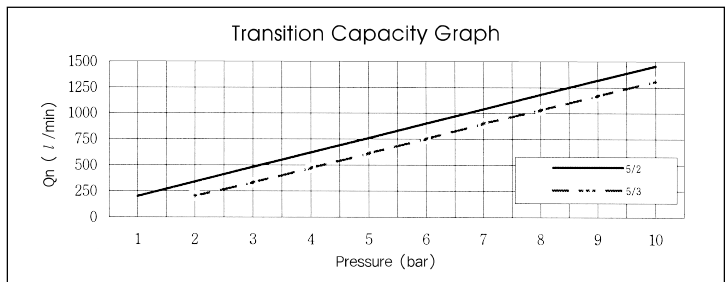
- 5/2, 5/3 - 1/8
- 23mm Body Width
- Transition Flow 760ℓ/min (5bar)



\*\* : Voltage Selection (see page 80)

## SPECIFICATION

ITEM	SERIES	SOLENOID, PNEUMATIC	
		5 Port 2 Position	5 Port 3 Position
Fluids		Compressed Air & Inert Gases	
Pressure(bar)		1.5~10.0	2.0~10.0
Eff. Section Area(mm <sup>2</sup> )-5bar		13.5	11.0
Ambient & Fluid Temp.		5~60°C (41~140°F)	
Response Time(5bar)		25ms or Less	35ms or Less
Max. Working Frequency		5c/sec	3c/sec
Lubrication		Not Required(Use ISO VG32 #)	
Manual Override		Push Button(Standard), Lever Lock(Option)	
Coil Insulation Class		F-Class or Equivalent	
Permissible Voltage Variation		±10% of Rated Voltage	
Off Min. Residual Voltage		AC:20% or Less / DC:10% or Less	
Power Consumption		Holding-AC:5.5VA(60Hz) / DC:2.5W	



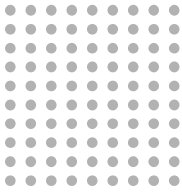
- ### The Material of Parts
- Valve Body : Die-Cast Aluminium
  - Spool : Aluminium
  - Seals : NBR
  - Spring : Stainless
  - Cap : Zinc Pressure Die-Cast
  - Pilot Parts : Glass Filled Nylon
  - Armature : Stainless Steel
  - Armature Seals : Viton

\* The specification on each item can be amended without any prenotice to improve a performance.  
\* The specification on each item can be different from actual specification.

## ORDERING NO.

**SF3 1 0 1 - I P - SC2 - CN2 - A2**

Valve Series	Function	Port Size & Thread	Return Method	Int/Ext. Pilot	Manual Operator	Solenoid Coil Type	Connector Type	Voltage
SF3 : Solenoid Valve	1 5/2 Single	0 G 1/8	0 None	I Internal Pilot	0 None	0 None	0 None	0 None
	2 5/2 Double	1 NPT 1/8	1 Air + Spring		P Push	SC2 3 Pin Connector Coil	CN2 Normal Connector	A2 AC 220V
	3 5/3 Closed Center		2 Air			SG2 Grommet/Flying Leads	CD2 Connector With LED	A1 AC 110V
	4 5/3 Open Center		3 Spring		L Lever Locking	SD2 Grommet/Flying Leads With LED	CZ2 Connector With LED & Surge Suppressor	A4 AC 24V D4 DC 24V D2 DC 12V
SFP3 : Pneumatic Valve	5 5/3 Pressure Center							

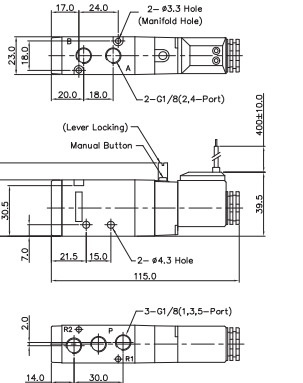
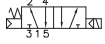


# Solenoid & Pilot Actuated Spool Valves

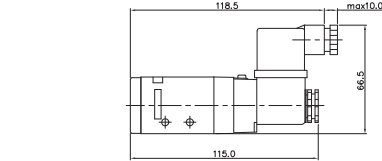
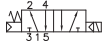
Port Thread 1/8

## 5Port 2Position Solenoid Valve

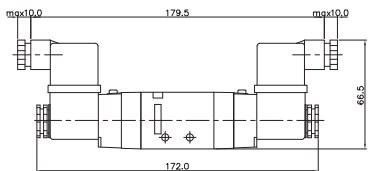
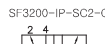
Single Solenoid  
SF3101-IP-SD2-\*\*\*



SF3101-IP-SC2-CN2-\*\*\*

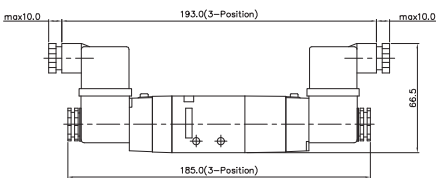
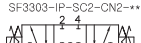


Double Solenoid  
SF3200-IP-SC2-CN2-\*\*\*



## 5Port 3Position Solenoid Valve

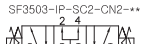
Closed Center  
SF3303-IP-SC2-CN2-\*\*\*



Exhaust Center  
SF3403-IP-SC2-CN2-\*\*\*

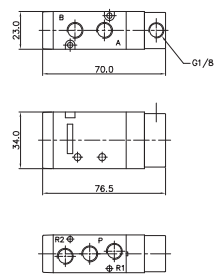
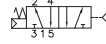


Pressure Center  
SF3503-IP-SC2-CN2-\*\*\*

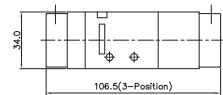
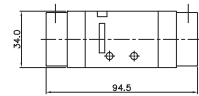
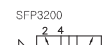


## 5Port 2Position Pneumatic Valve

Single Pneumatic  
SFP3101



Double Pneumatic  
SFP3200



## 5Port 3Position Pneumatic Valve

Closed Center  
SFP3303



Exhaust Center  
SFP3403



Pressure Center  
SFP3503



## Manifold Block Ordering Code

MF 3500		-	2	
Series	Manifold Station			
MF3500	5 Way	02	2-Station	
		04	4-Station	
		06	6-Station	
		08	8-Station	
		10	10-Station	

## Blanking Plate Ordering Code

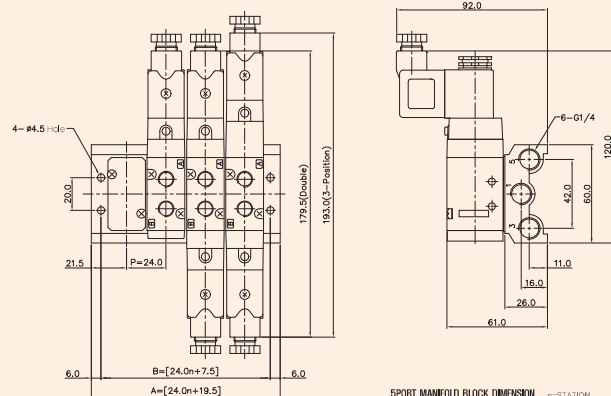
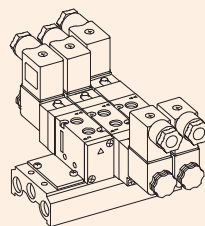
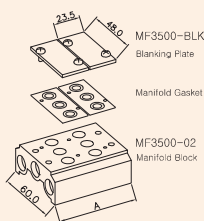
MF3500-BLK	
	Blanking Plate. (Material: SCP1)
	Manifold Gasket. (Material: NBR)

# MF3000 MANIFOLD BLOCK

(SF3000 Solenoid & Pneumatic Valve Use)

## 5-Port Manifold Block

MF3500-4



5PORT MANIFOLD BLOCK DIMENSION		n-STATION			
n	2	4	6	8	10
B	55.5	103.5	151.5	199.5	247.5
A	67.5	115.5	163.5	211.5	259.5

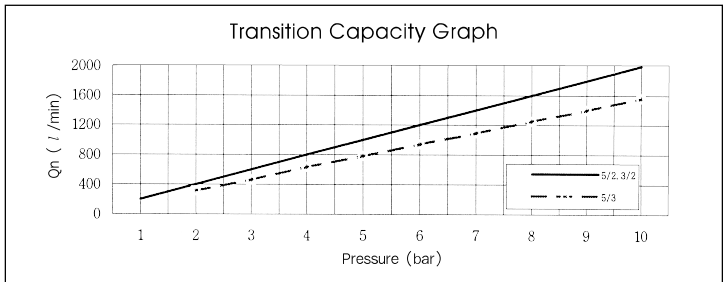
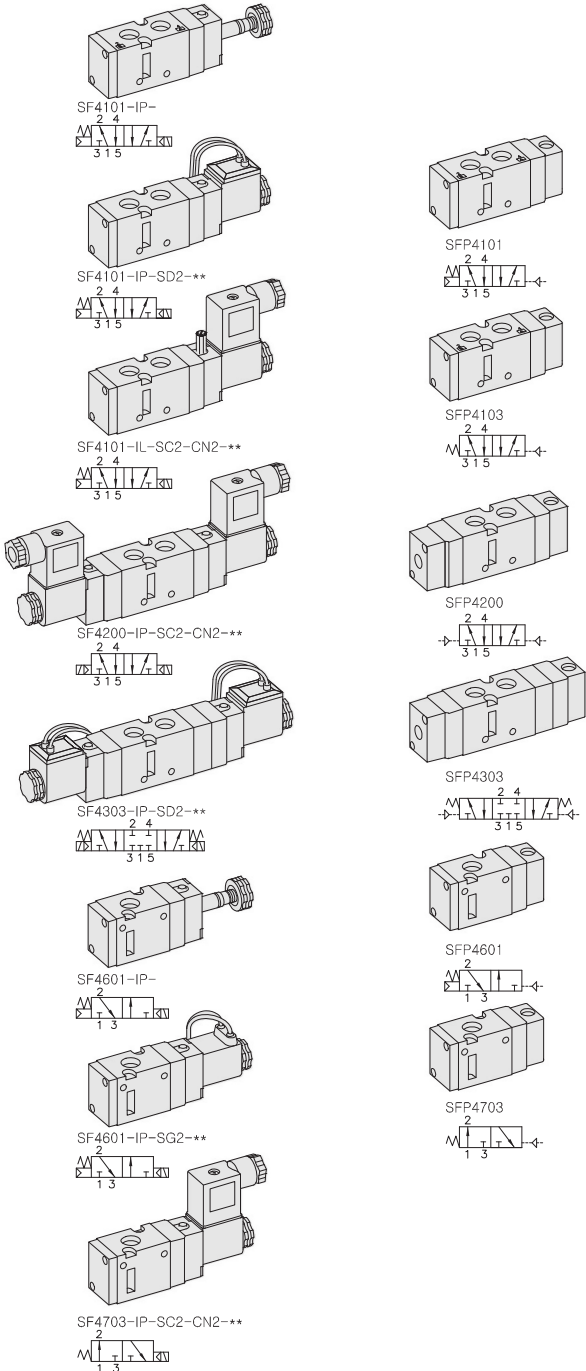
# SF4000. 1/4

"F" FLEXIBLE Series  
Solenoid / Pneumatic Valves

- 5/2, 5/3, 3/2 - 1/4
- 26mm Body Width
- Transition Flow 1000ℓ/min (5bar)

## SPECIFICATION

ITEM	SERIES	SOLENOID, PNEUMATIC	
		FUNCTION	
		5, 3 Port 2 Position	5 Port 3 Position
Fluids		Compressed Air & Inert Gases	
Pressure(bar)		1,5~10,0	2,0~10,0
Eff. Section Area(mm <sup>2</sup> )-5bar		19,0	11,5
Ambient & Fluid Temp.		5~60°C (41~140°F)	
Response Time(5bar)		25ms or Less	35ms or Less
Max. Working Frequency		5c/sec	3c/sec
Lubrication		Not Required(Use ISO VG32 #)	
Manual Override		Push Button(Standard), Lever Lock(Option)	
Coil Insulation Class		F-Class or Equivalent	
Permissible Voltage Variation		±10% of Rated Voltage	
Off Min. Residual Voltage		AC:20% or Less / DC:10% or Less	
Power Consumption		Holding-AC:5,5VA(60Hz) / DC:2,5W	



- ### The Material of Parts
- Valve Body : Die-Cast Aluminium
  - Spool : Aluminium
  - Seals : NBR
  - Spring : Stainless
  - Cap : Zinc Pressure Die-Cast
  - Pilot Parts : Glass Filled Nylon
  - Armature : Stainless Steel
  - Armature Seals : Viton

\* The specification on each item can be amended without any prenotice to improve a performance.  
\* The specification on each item can be different from actual specification.

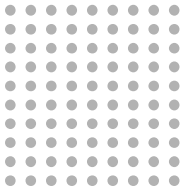
\*\* : Voltage Selection (see page 80)

## ORDERING NO.

**SF4 1 0 1 - I P - SC2 - CN2 - A2**

Valve Series	Function	Port Size & Thread	Return Method	Int/Ext. Pilot	Manual Operator	Solenoid Coil Type	Connector Type	Voltage
SF4 : Solenoid Valve	1 5/2 Single	0 G 1/4	0 None	I Internal Pilot	0 None	0 None	0 None	0 None
	2 5/2 Double	1 NPT 1/4	1 Air + Spring		P Push Non-Locking	SC2 3 Pin Connector Coil	CN2 Normal Connector	A2 AC 220V
	3 5/3 Closed Center		2 Air		L Lever Locking	SG2 Grommet/Flying Leads	CD2 Connector With LED	A1 AC 110V
SFP4 : Pneumatic Valve	4 5/3 Open Center		3 Spring				CZ2 Connector With LED & Surge Suppressor	A4 AC 24V
	5 5/3 Pressure Center					SD2 Grommet/Flying Leads With LED		D4 DC 24V
	6 3/2 Normally Closed							D2 DC 12V
	7 3/2 Normally Open							



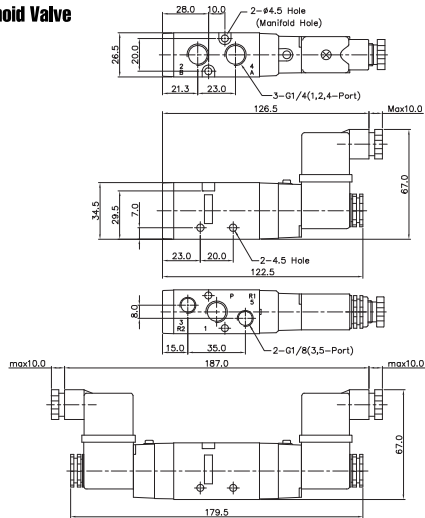


# Solenoid & Pilot Actuated Spool Valves

Port Thread 1/4

## 5Port 2Position Solenoid Valve

Single Solenoid  
SF4101-IP-SC2-CN2-→

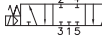


Double Solenoid  
SF4200-IP-SD2-→

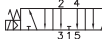


## 5Port 3Position Solenoid Valve

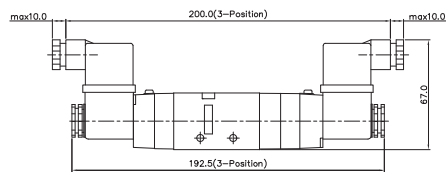
Closed Center  
SF4303-IP-SC2-CN2-→



Exhaust Center  
SF4403-IP-SC2-CN2-→



Pressure Center  
SF4503-IP-SC2-CN2-→

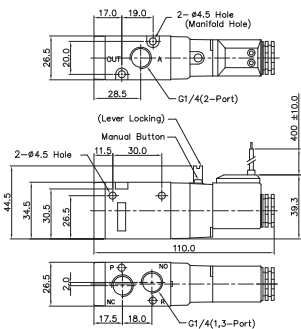
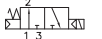


## 3Port 2Position Solenoid Valve

Normally Closed  
SF4601-IP-SD2-→

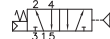


Normally Open  
SF4701-IP-SD2-→

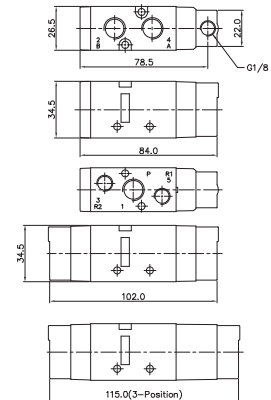


## 5Port 2Position Pneumatic Valve

Single Pneumatics  
SFP4101

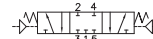


Double Pneumatic  
SFP4200

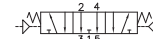


## 5Port 3Position Pneumatic Valve

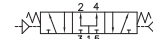
Closed Center  
SFP4303



Exhaust Center  
SFP4403



Pressure Center  
SFP4503

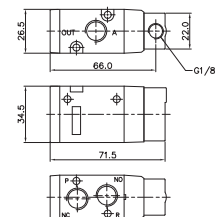


## 3Port 2Position Pneumatic Valve

Normally Closed  
SFP4601



Normally Open  
SFP4701



# MF4000 MANIFOLD BLOCK

(SF4000 Solenoid & Pneumatic Valve Use)

## Manifold Block Ordering Code

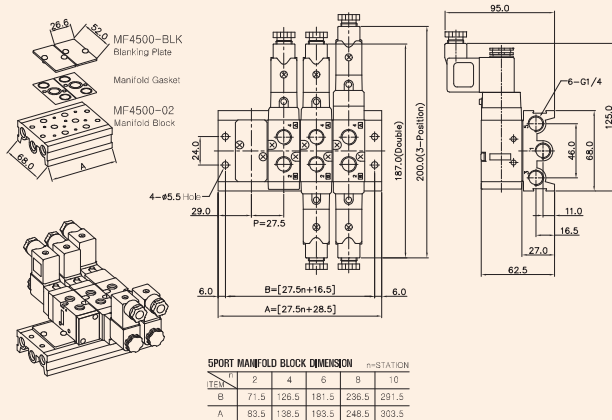
MF 4500		- 2	
Series	Manifold Station	Series	Manifold Station
MF4500	5 Way	02	2-Station
MF4300	3 Way	04	4-Station
		06	6-Station
		08	8-Station
		10	10-Station

## Blanking Plate Ordering Code

MF4500-BLK	Blanking Plate. (Material: SCP1)
	Manifold Gasket. (Material: NBR)
MF4300-BLK	Blanking Plate. (Material: SCP1)
	Manifold Gasket. (Material: NBR)

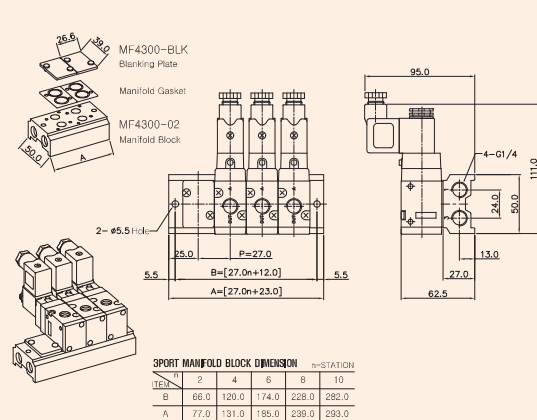
## 5-Port Manifold Block

MF4500-4



## 3-Port Manifold Block

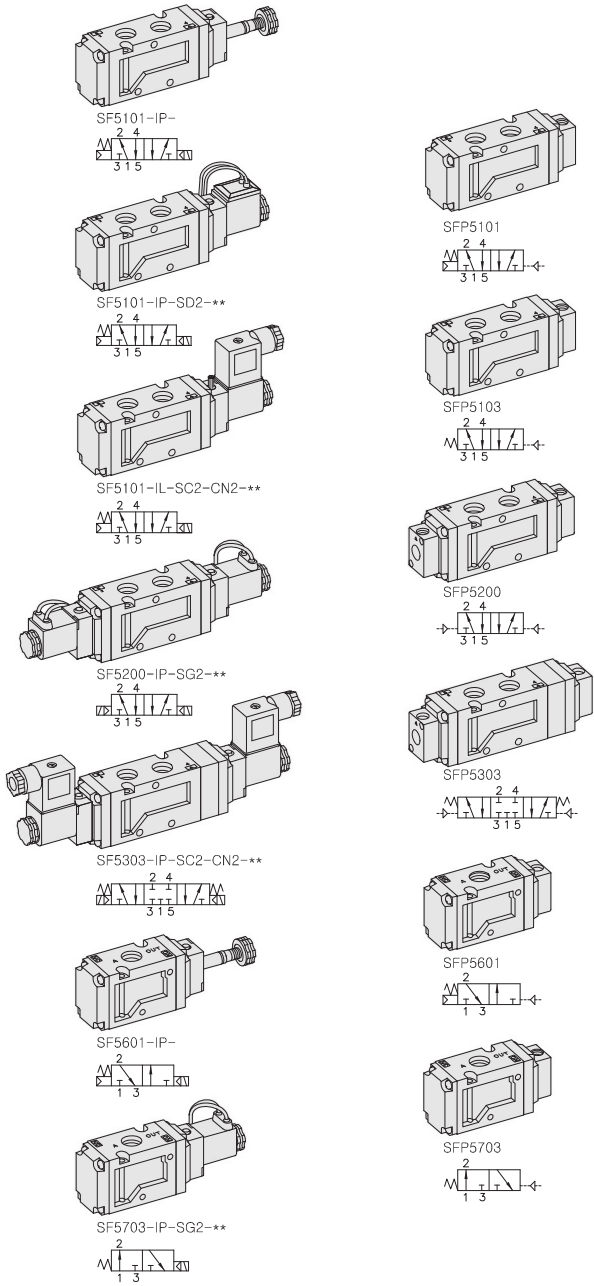
MF4300-4



# SF5000. 3/8

"F" FLEXIBLE Series  
Solenoid / Pneumatic Valves

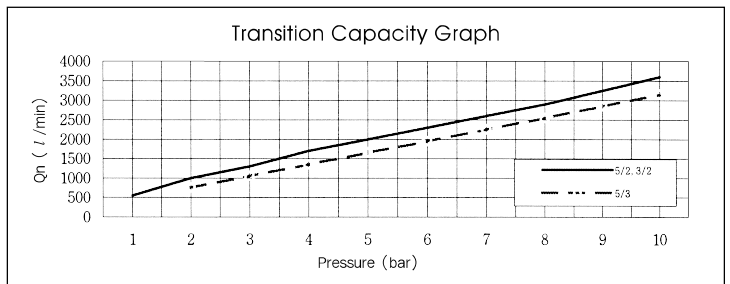
- 5/2, 5/3, 3/2 - 3/8
- 32mm Body Width
- Transition Flow 2000ℓ/min (5bar)



\*\* : Voltage Selection (see page 80)

## SPECIFICATION

ITEM	SERIES	SOLENOID, PNEUMATIC	
		FUNCTION	
		5, 3 Port 2 Position	5 Port 3 Position
Fluids		Compressed Air & Inert Gases	
Pressure(bar)		1,5~10,0	2,0~10,0
Eff. Section Area(mm <sup>2</sup> )-5bar		36,0	30,0
Ambient & Fluid Temp.		5~60°C (41~140°F)	
Response Time(5bar)		30ms or Less	40ms or Less
Max. Working Frequency		5c/sec	3c/sec
Lubrication		Not Required(Use ISO VG32 #)	
Manual Override		Push Button(Standard), Lever Lock(Option)	
Coil Insulation Class		F-Class or Equivalent	
Permissible Voltage Variation		±10% of Rated Voltage	
Off Min. Residual Voltage		AC:20% or Less / DC:10% or Less	
Power Consumption		Holding-AC:5,5VA(60Hz) / DC:2,5W	



### The Material of Parts

- Valve Body : Die-Cast Aluminium
- Spool : Aluminium
- Seals : NBR
- Spring : Stainless
- Cap : Zinc Pressure Die-Cast
- Pilot Parts : Glass Filled Nylon
- Armature : Stainless Steel
- Armature Seals : Viton

\* The specification on each item can be amended without any prenotice to improve a performance.  
\* The specification on each item can be different from actual specification.

## ORDERING NO.

**SF5 1 0 1 - I P - SC2 - CN2 - A2**

Valve Series	Function	Port Size & Thread	Return Method	Int/Ext. Pilot	Manual Operator	Solenoid Coil Type	Connector Type	Voltage
SF5 : Solenoid Valve	1 5/2 Single	0 G 3/8	0 None	1 Internal Pilot	0 None	0 None	0 None	0 None
	2 5/2 Double	1 NPT 3/8	1 Air + Spring		P Push Non-Locking	SC2 3 Pin Connector Coil	CN2 Normal Connector	A2 AC 220V
	3 5/3 Closed Center		2 Air		L Lever Locking	SG2 Grommet/Flying Leads	CD2 Connector With LED	A1 AC 110V
SFP5 : Pneumatic Valve	4 5/3 Open Center		3 Spring				CZ2 Connector With LED & Surge Suppressor	A4 AC 24V
	5 5/3 Pressure Center					SD2 Grommet/Flying Leads With LED		D4 DC 24V
	6 3/2 Normally Closed							D2 DC 12V
	7 3/2 Normally Open							



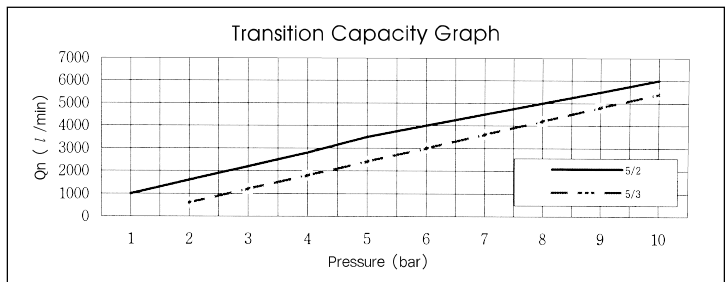
# SF6000. 1/2

"F" FLEXIBLE Series  
Solenoid / Pneumatic Valves

- 5/2, 5/3 - 1/2
- 36mm Body Width
- Transition Flow 3500ℓ/min (5bar)

## SPECIFICATION

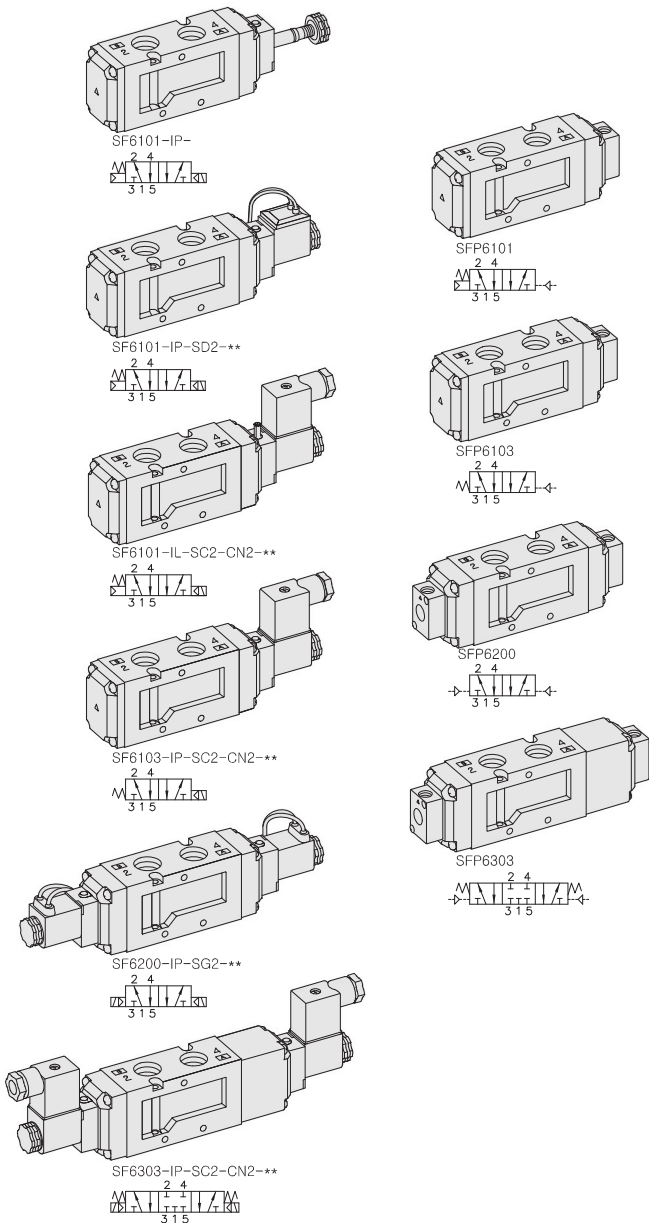
ITEM	SERIES	SOLENOID, PNEUMATIC	
		5 Port 2 Position	5 Port 3 Position
Fluids		Compressed Air & Inert Gases	
Pressure(bar)		1.5~10.0	2.0~10.0
Eff. Section Area(mm <sup>2</sup> )-5bar		65.0	50.0
Ambient & Fluid Temp.		5~60°C (41~140°F)	
Response Time(5bar)		30ms or Less	40ms or Less
Max. Working Frequency		2c/sec	1c/sec
Lubrication		Not Required(Use ISO VG32 #)	
Manual Override		Push Button(Standard), Lever Lock(Option)	
Coil Insulation Class		F-Class or Equivalent	
Permissible Voltage Variation		±10% of Rated Voltage	
Off Min. Residual Voltage		AC:20% or Less / DC:10% or Less	
Power Consumption		Holding-AC:5.5VA(60Hz) / DC:2.5W	



### The Material of Parts

- Valve Body : Die-Cast Aluminium
- Spool : Aluminium
- Seals : NBR
- Spring : Stainless
- Cap : Zinc Pressure Die-Cast
- Pilot Parts : Glass Filled Nylon
- Armature : Stainless Steel
- Armature Seals : Viton

\* The specification on each item can be amended without any prenotice to improve a performance.  
\* The specification on each item can be different from actual specification.

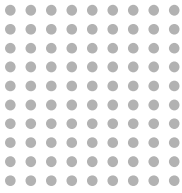


\*\* : Voltage Selection (see page 80)

## ORDERING NO.

**SF6 1 0 1 - I P - SC2 - CN2 - A2**

Valve Series	Function	Port Size & Thread	Return Method	Int/Ext. Pilot	Manual Operator	Solenoid Coil Type	Connector Type	Voltage
SF6 : Solenoid Valve	1 5/2 Single	0 G 1/2	0 None	I Internal Pilot	0 None	0 None	0 None	0 None
	2 5/2 Double	1 NPT 1/2	1 Air + Spring		P Push Non-Locking	SC2 3 Pin Connector Coil	CN2 Normal Connector	A2 AC 220V
	3 5/3 Closed Center		2 Air		L Lever Locking	SG2 Grommet/Flying Leads	CD2 Connector With LED	A1 AC 110V
	4 5/3 Open Center		3 Spring			SD2 Grommet/Flying Leads With LED	C22 Connector With LED & Surge Suppressor	A4 AC 24V
SFP6 : Pneumatic Valve	5 5/3 Pressure Center						D4 DC 24V	D2 DC 12V

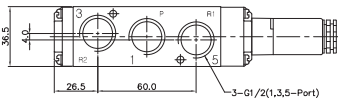
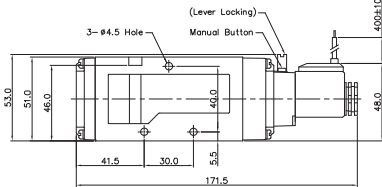
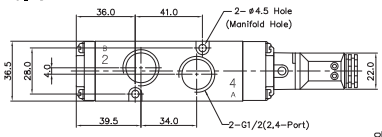


# Solenoid & Pilot Actuated Spool Valves

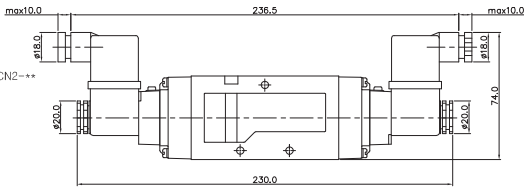
Port Thread 1/2

## 5Port 2Position Solenoid Valve

Single Solenoid  
SF6101-IP-SD2-\*



Double Solenoid  
SF6200-IP-SC2-CN2-\*

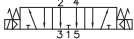


## 5Port 3Position Solenoid Valve

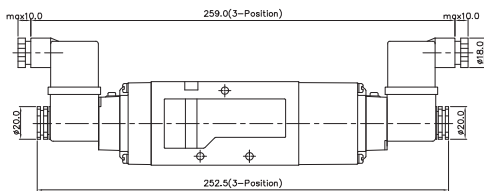
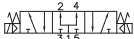
Closed Center  
SF6303-IP-SC2-CN2-\*



Exhaust Center  
SF6403-IP-SC2-CN2-\*

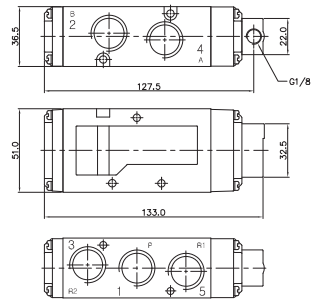


Pressure Center  
SF6503-IP-SC2-CN2-\*

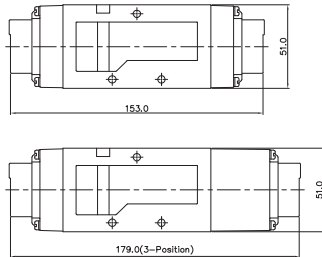
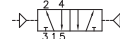


## 5Port 2Position Pneumatic Valve

Single Pneumatic  
SFP6101

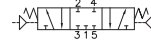


Double Pneumatic  
SFP6200

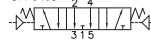


## 5Port 3Position Pneumatic Valve

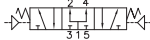
Closed Center  
SFP6303



Exhaust Center  
SFP6403



Pressure Center  
SFP6503



## Manifold Block Ordering Code

MF 6500		-		2	
Series	Manifold Station				
MF6500	5 Way	02	2-Station		
		04	4-Station		
		06	6-Station		
		08	8-Station		
		10	10-Station		

## Blanking Plate Ordering Code

MF6500-BLK

Blanking Plate.  
(Material: SCP1)

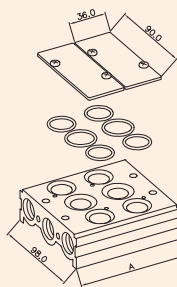
Gasket O-Ring  
(Material: NBR)

# MF6000 MANIFOLD BLOCK

(SF6000 Solenoid & Pneumatic Valve Use)

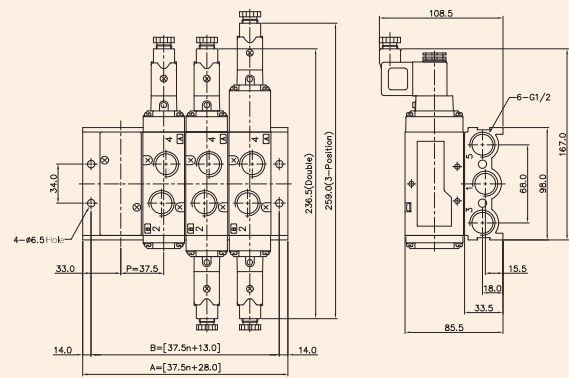
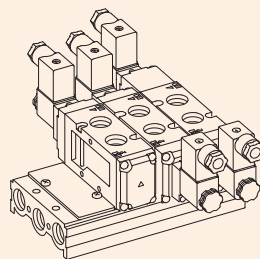
## 5-Port Manifold Block

MF6500-4



MF6500-BLK  
Blanking Plate  
Gasket O-Ring

MF6500-02  
Manifold Block



PORT MANIFOLD BLOCK DIMENSION	n=STATION				
ITEM	2	4	6	8	10
B	86.0	163.0	239.0	313.0	388.0
A	103.0	178.0	253.0	328.0	403.0