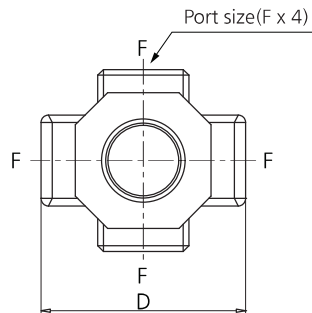
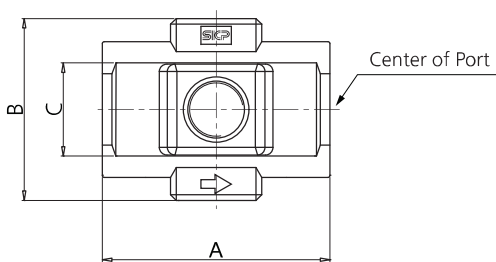
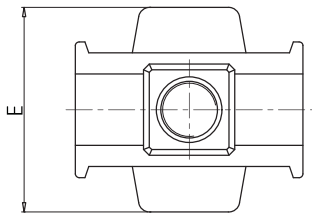
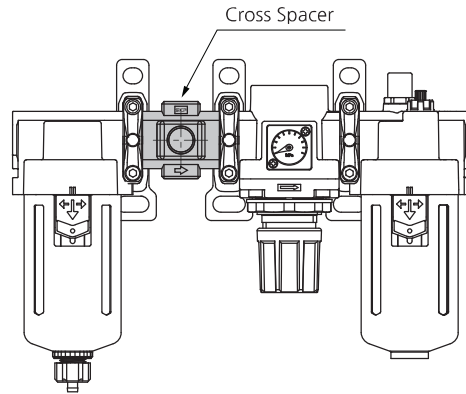


# Accessory

## Cross Spacer(B240C~B440C)

1. Piping is possible in all 4 directions.
2. IN/OUT ports are not machined for threads.  
Please contact SKP if threaded (machined) ports are required.
3. When mounting a cross interface directly on the IN side of the lubricator, be sure to use the SACM series check valve between the lubricator and cross interface.



\* Unit (mm)

Model	Port size(F)	A	B	C	D	E	Applicable model
B240C-□01	1/8	40	36	21	38	38	SAU200, SAU210~260
B240C-□02	1/4						
B340C-□01	1/8	49	43	28	48	48	SAU300, SAU310~360
B340C-□02	1/4						
B440C-□02	1/4	60	48	35.8	54	54	SAU400-04, SAU410-04~460-04
B440C-□03	3/8						

Note : □ in model numbers indicates a pipe thread type.  
No indication is necessary for Rc; however, indicate N for NPT, and G for G.

# Mounting Position for Spacer with Bracket

